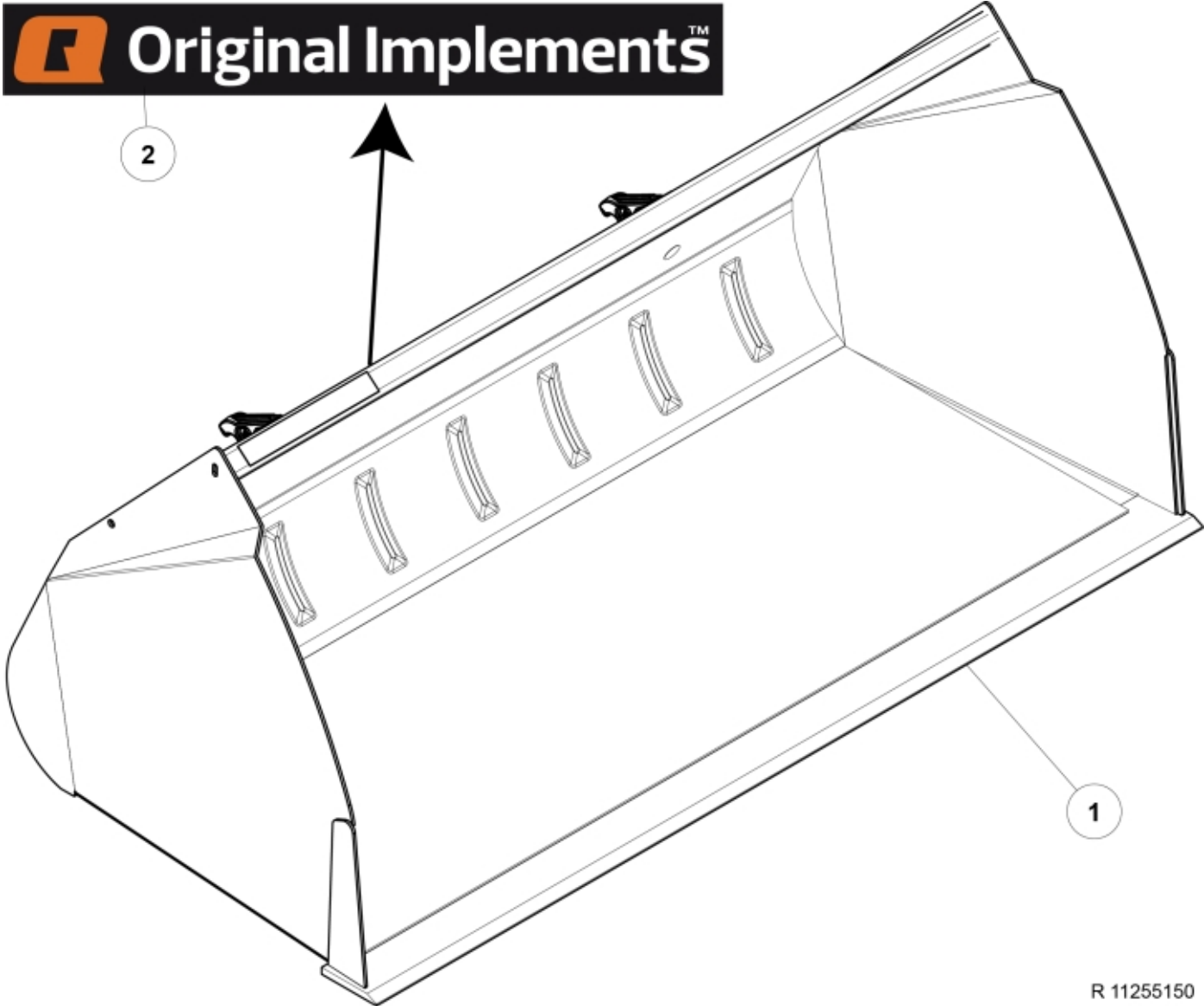


Original Implements™



R 11255150

Part assemblies HXV Bucket 220
Specification Year From: 01/05/2018 00:00:00
: 31/10/2020 00:00:00

PartNo	Pos	Qty	Name	Specifications
11255150		1	HXV Bucket 220	01/05/2018 00:00:00, 31/10/2020 00:00:00
11260045	1	1	Cutting edge	L=2250
11137127	2	1 PCS	Decal	"Original Implements"
5022119		2	Plug	