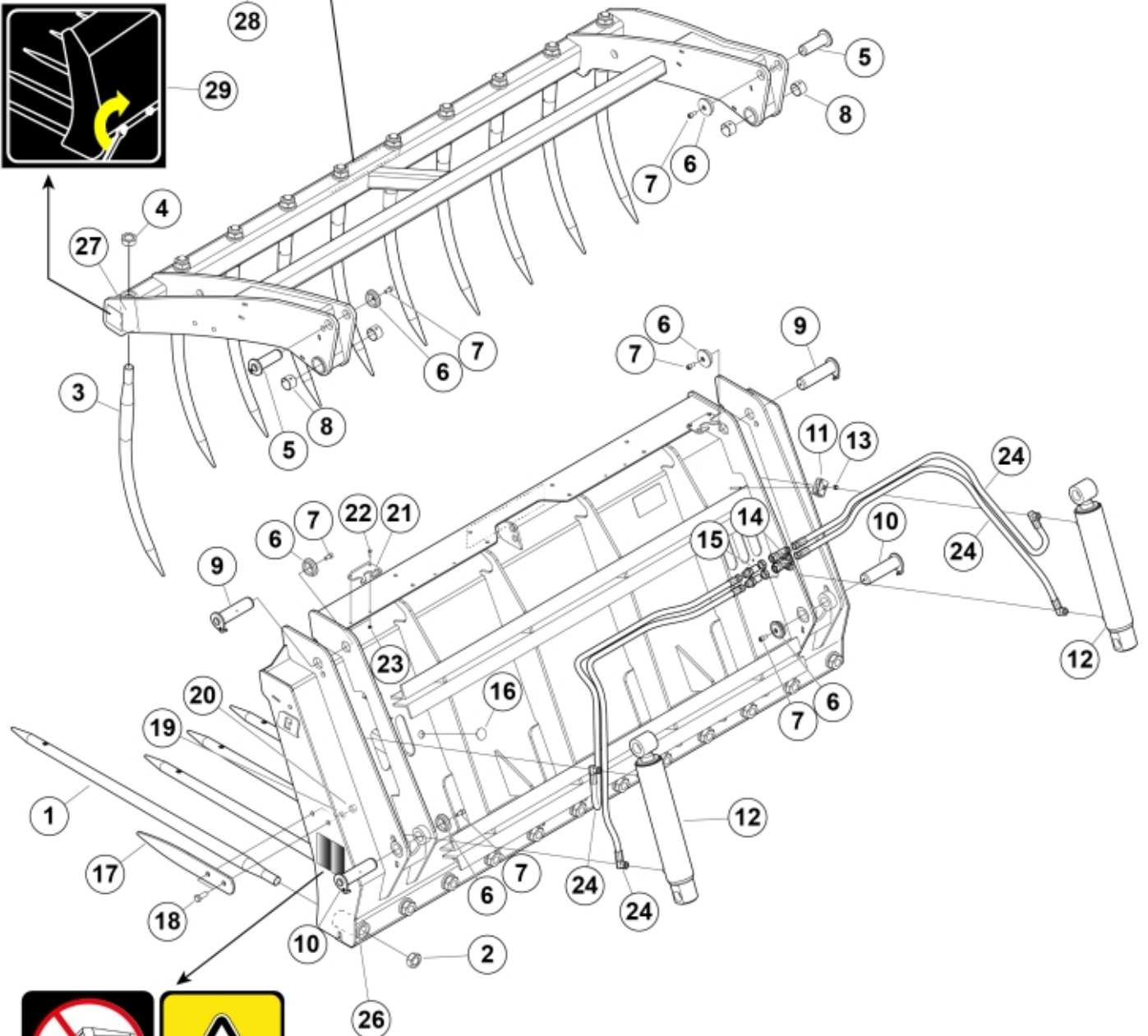


## Q Silograb® XL



30

31

R 11255053



32

<b>Part assemblies</b>		Silograb XL 250 Forged tines		
<b>Specification</b>		Year From: 01/08/2018 00:00:00		
<b>PartNo</b>	<b>Pos</b>	<b>Qty</b>	<b>Name</b>	<b>Specifications</b>
11255053		1	Silograb XL 250 Forged tines	01/08/2018 00:00:00
5068120-17	1	13	Tine with nut	L=1240mm (5068004)
5068116	2	1	• Nut	Conus 2
60021462-17	3	10 PCS	Tine with nut	
5068116	4	1	• Nut	Conus 2
9020073	5	2 PCS	Pivot Pin	D=35, L=106mm
5215131	6	6	Locking cover	
5004917	7	6	Screw	
5018904	8	4	Bushing	D40 L=30
60019828	9	2	Pivot Pin	D=40, L=147mm
60000355	10	2	Pivot Pin	D=35, L=147mm
5016968	11	4	Hose clamp	
12702410-1	12	2	Cylinder	Glossy Black
5011553	13	4	Nut	M6M M8 Loc-king
5028031	14	2	T-Adapter	
11120580	15	2	Adapter cpl.	
5022119	16	2	Plug	
11260256-22	17	2	Side tine	
5002127	18	4	Screw	M6S M14 x 35
5013107	19	4	Washer	BRB 15 x 26 x 2
5011556	20	4	Nut	M14
60031650-22	21	2 PCS	Pivot post	
5003008	22	4 PCS	Screw	M6x20
20708137	23	4	Nut	M6 FZB, 708137
60022714	24	4 PCS	Hose	L=1550, 3/8"G90LMC-1/2"GRLM
60016205	26	13	Sleeve	Conus 2
60021420	27	10 PCS	Sleeve	Conus 2 Curved
60004289	28	1 PCS	Decal, Brand	Silograb XL
11136517	29	1	Warning decal	"Tightening of tine"
1123673	30	1	Warning decal	
1123674	31	1	Warning decal	"Read manual"
60001650	32	1 PCS	Decal	Original Implements 361,7x100