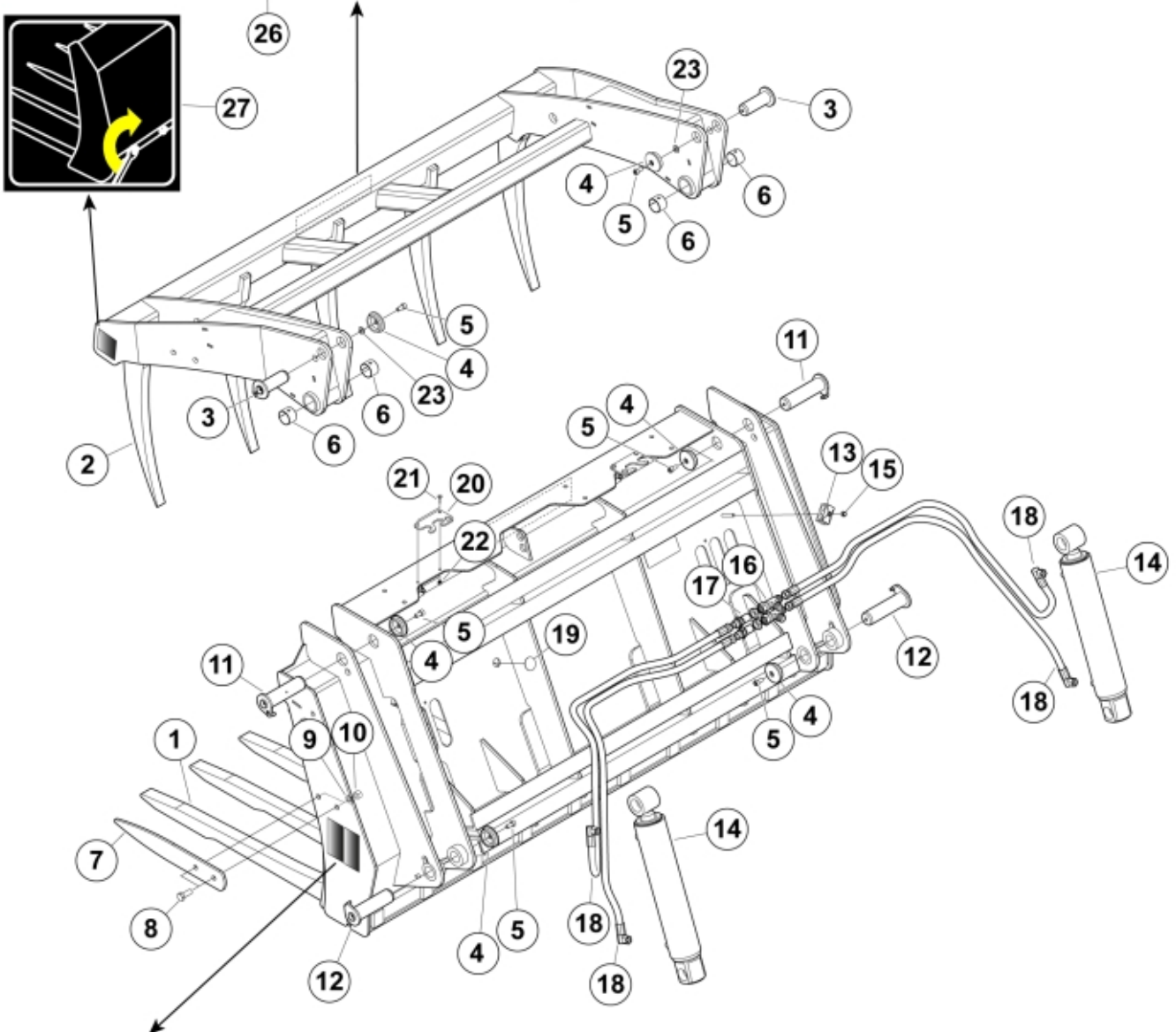


Q Silograb® XL



R 11255050



Part assemblies		Silograb XL 190 Profiled tines		
Specification		Year From: 01/08/2018 00:00:00		
PartNo	Pos	Qty	Name	Specifications
11255050		1	Silograb XL 190 Profiled tines	01/08/2018 00:00:00
60034749	1	10	Tine	
60022809-17	2	5 PCS	Tine cpl.	
60022006		1 PCS	• Tine	
60021432		1 PCS	• Plate	
60021433		1 PCS	• Plate	
9020073	3	2 PCS	Pivot Pin	D=35, L=106mm
5215131	4	6	Locking cover	
5050608	5	6	Screw	MC6S M10x20 Loc
5018904	6	4	Bushing	D40 L=30
11260256-22	7	2	Side tine	
5002127	8	4	Screw	M6S M14 x 35
5013107	9	4	Washer	BRB 15 x 26 x 2
5011556	10	4	Nut	M14
60019828	11	2	Pivot Pin	D=40, L=147mm
60000355	12	2	Pivot Pin	D=35, L=147mm
5016968	13	4	Hose clamp	
60022048-1	14	2 PCS	Cylinder	
5011553	15	4	Nut	M6M M8 Loc-king
5028031	16	2	T-Adapter	
11120580	17	2	Adapter cpl.	
60022686	18	4 PCS	Hose	3/8" L=1350 G90LMC-1/2"GRLM
5022119	19	2	Plug	
60031650-22	20	2 PCS	Pivot post	
5003008	21	4 PCS	Screw	M6x20
20708137	22	4	Nut	M6 FZB, 708137
5013110	23	2	Washer	BRB 10.5x22x2
60004289	26	1 PCS	Decal, Brand	Silograb XL
11136517	27	1	Warning decal	"Tightening of tine"
1123673	28	1	Warning decal	
1123674	29	1	Warning decal	"Read manual"
60001650	30	1 PCS	Decal	Original Implements 361,7x100