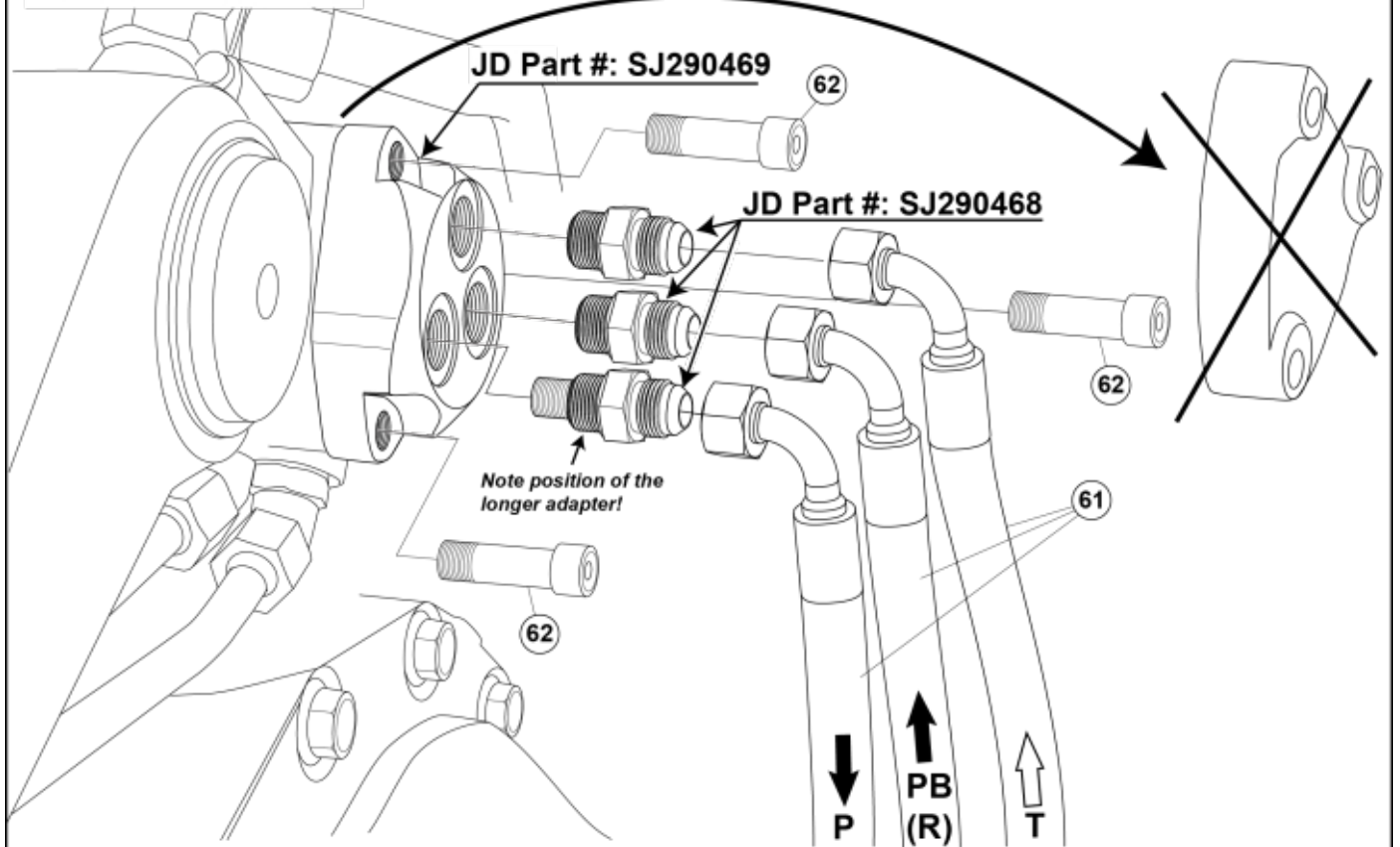
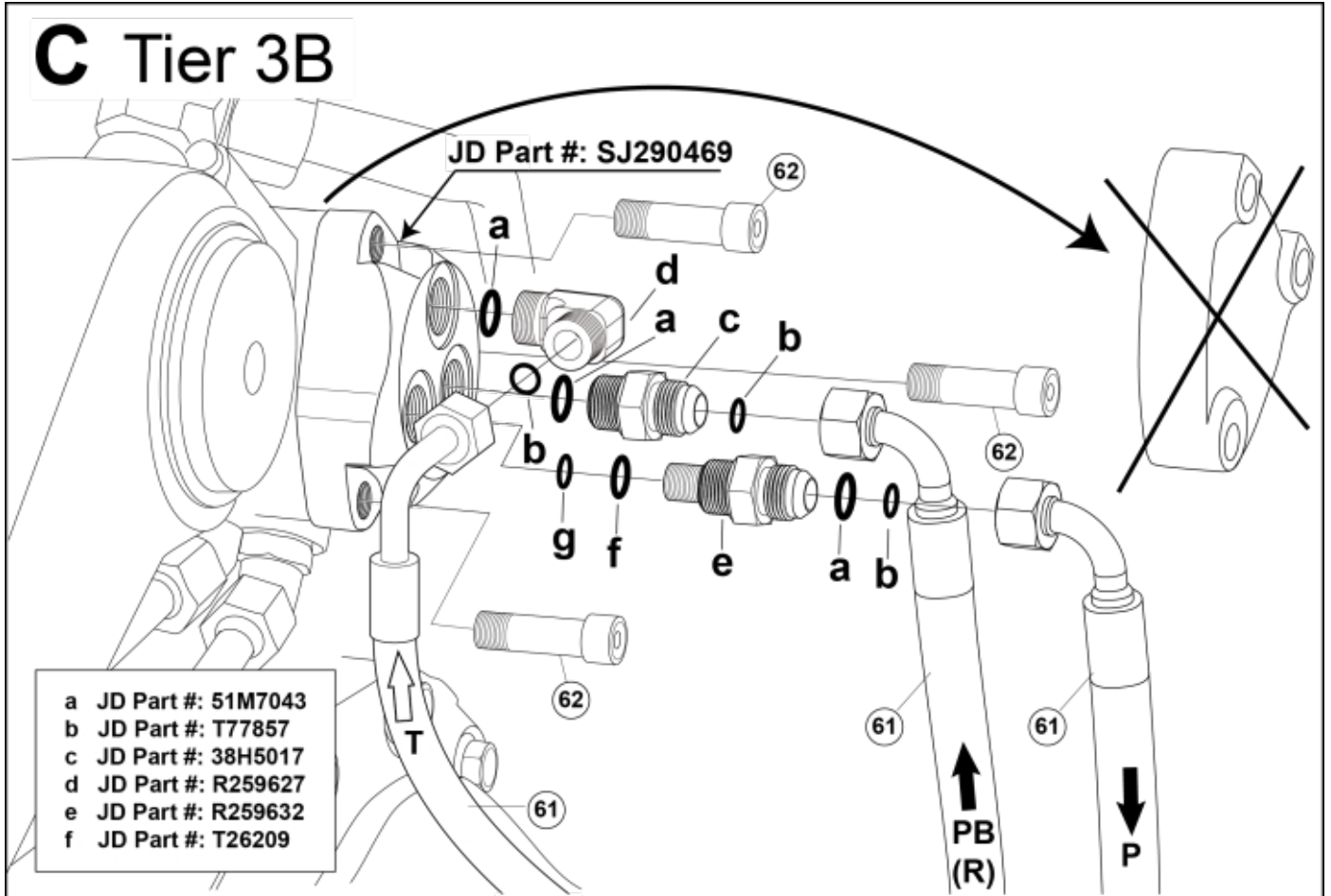


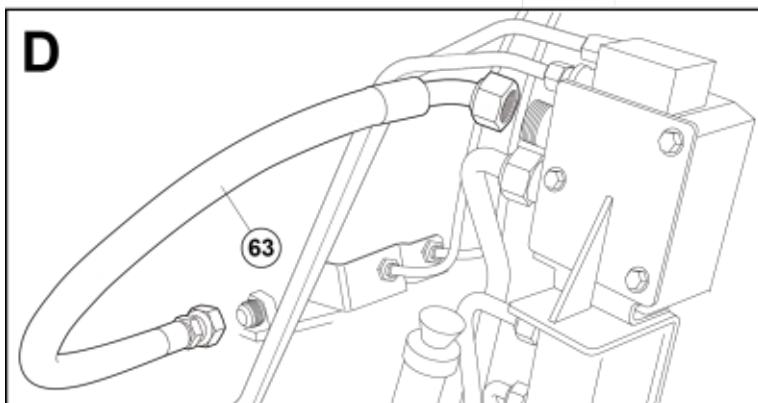
M 60033887_1

B Tier 3A





M 60033887_2



Part assemblies Hydraulic connection

PartNo	Pos	Qty	Name	Specifications
60033887		1 PCS	Hydraulic connection	
10391887	50	1	Bracket complete	
5005999	51	2	• Screw	M6SF M10x45
5033606	60	6	Cable tie	7,5 x 385
9031727	61	3 PCS	Hose	1 3/16" ORFS - 1 1/16" JIC
5004087	62	3 PCS	Screw	M10x60
5051340	63	1 PCS	Hose	5/8" L=750 ORLM O90LM
5050938	64	1 PCS	Connector, female	