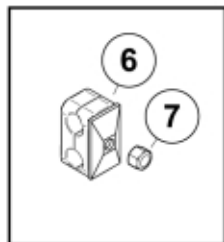
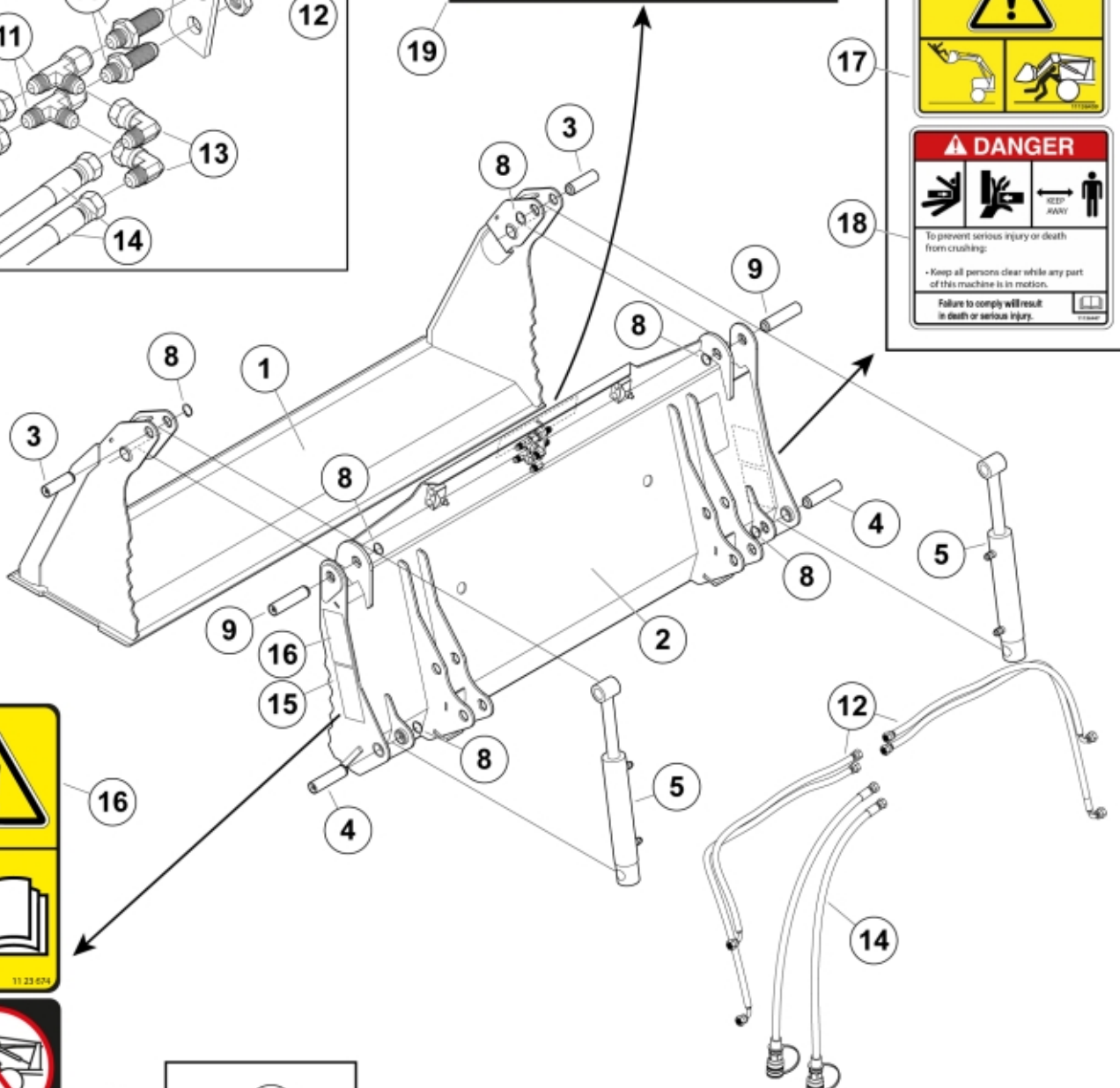


Q 120 MPC

North America only



r11255404

Part assemblies		Multipurpose compact 120 (48") Pin-On		
Specification		Year From: 01/01/2019 00:00:00		
PartNo	Pos	Qty	Name	Specifications
11255404		1	Multipurpose compact 120 (48") Pin-On	01/01/2019 00:00:00
60040913	1	1 PCS	Grab head	
60040914	2	1 PCS	Bucket	
60040895	3	2 PCS	Pin	
60042331	4	4 PCS	Pin	
60026090	5	2 PCS	Cylinder	
5051649	6	2 PCS	Hose clamp	
5011553	7	2	Nut	M6M M8 Loc-king
5050817	8	6	Circlip	
5028211	10	2 PCS	Adaptor	
5028163	11	2 PCS	Adaptor	
60041100	12	1 PCS	Hose kit	
5027803	13	2 PCS	Adaptor	9/16" UNF JIC - 9/16" UNF JIC 45
60041104	14	2 PCS	Hose	3/8" L=1000
1123673	15	1	Warning decal	
1123674	16	1	Warning decal	"Read manual"
11136459	17	1	Warning decal	Only for North Am. Warning triangle
11136447	18	1	Warning decal	Only for North Am. DANGER
60041041	19	1 PCS	Decal	"120 MPC"