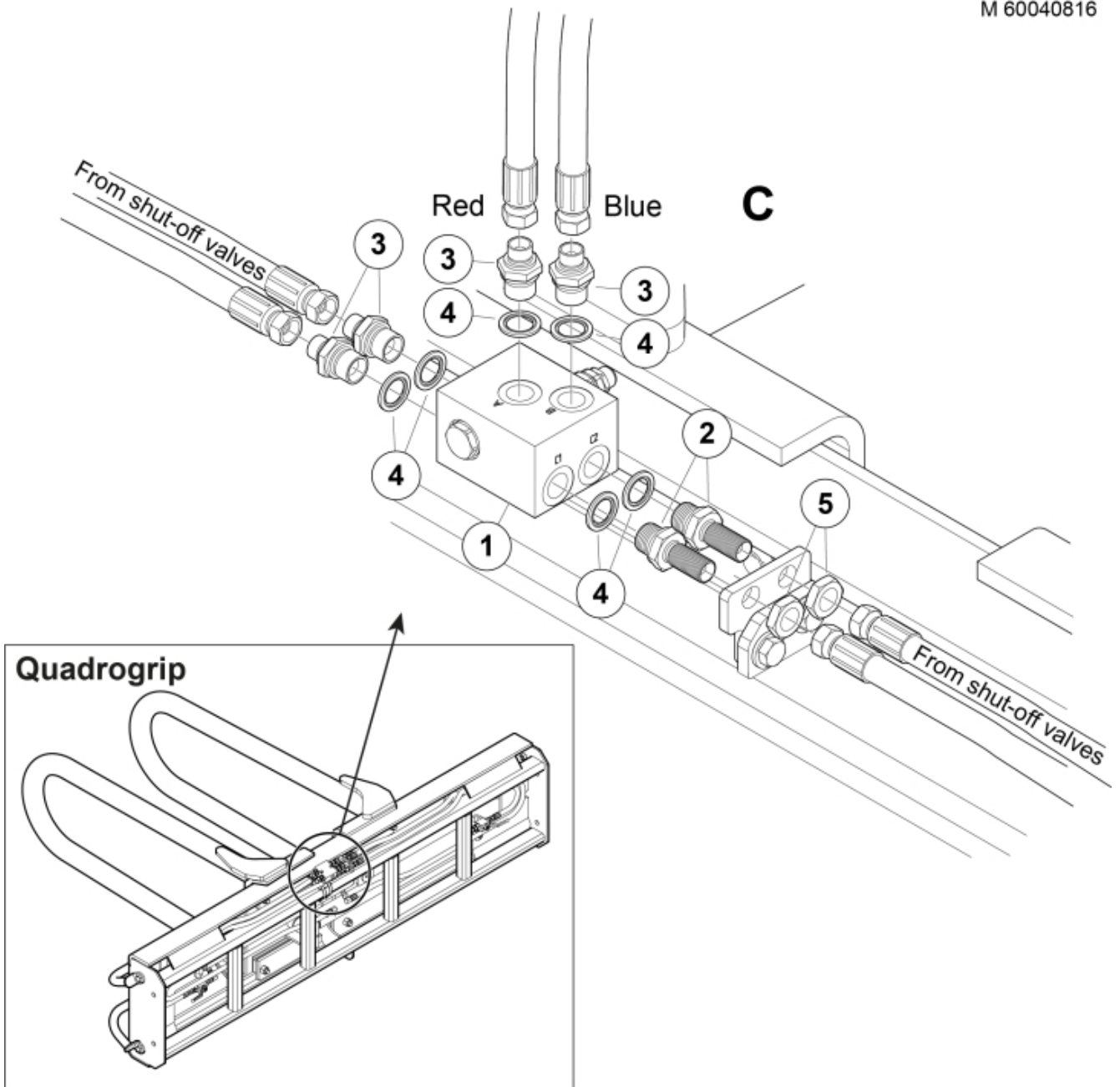


M 60040816



---

**Part assemblies**      Load hold and pressure relief valve kit

---

<b>PartNo</b>	<b>Pos</b>	<b>Qty</b>	<b>Name</b>	<b>Specifications</b>
60040816		1 PCS	Load hold and pressure relief valve kit	
60040685	1	1	Pressure relief valve	
60104392	2	2	Adaptor	G1/2" - G3/8"
1120011	3	4	Adaptor	R1/2"-R3/8"
5013853	4	6	Dowty washer	Tredo 1/2", Part is included in kit 60007907 Hose cpl., 9032177 Hose cpl.
60020329	5	2	Nut	3/8"
60040491	6	1 PCS	Bracket	
60040492	7	2 PCS	Bushing	
5002101	8	2	Screw	M6S M12 x 25 (8.8)