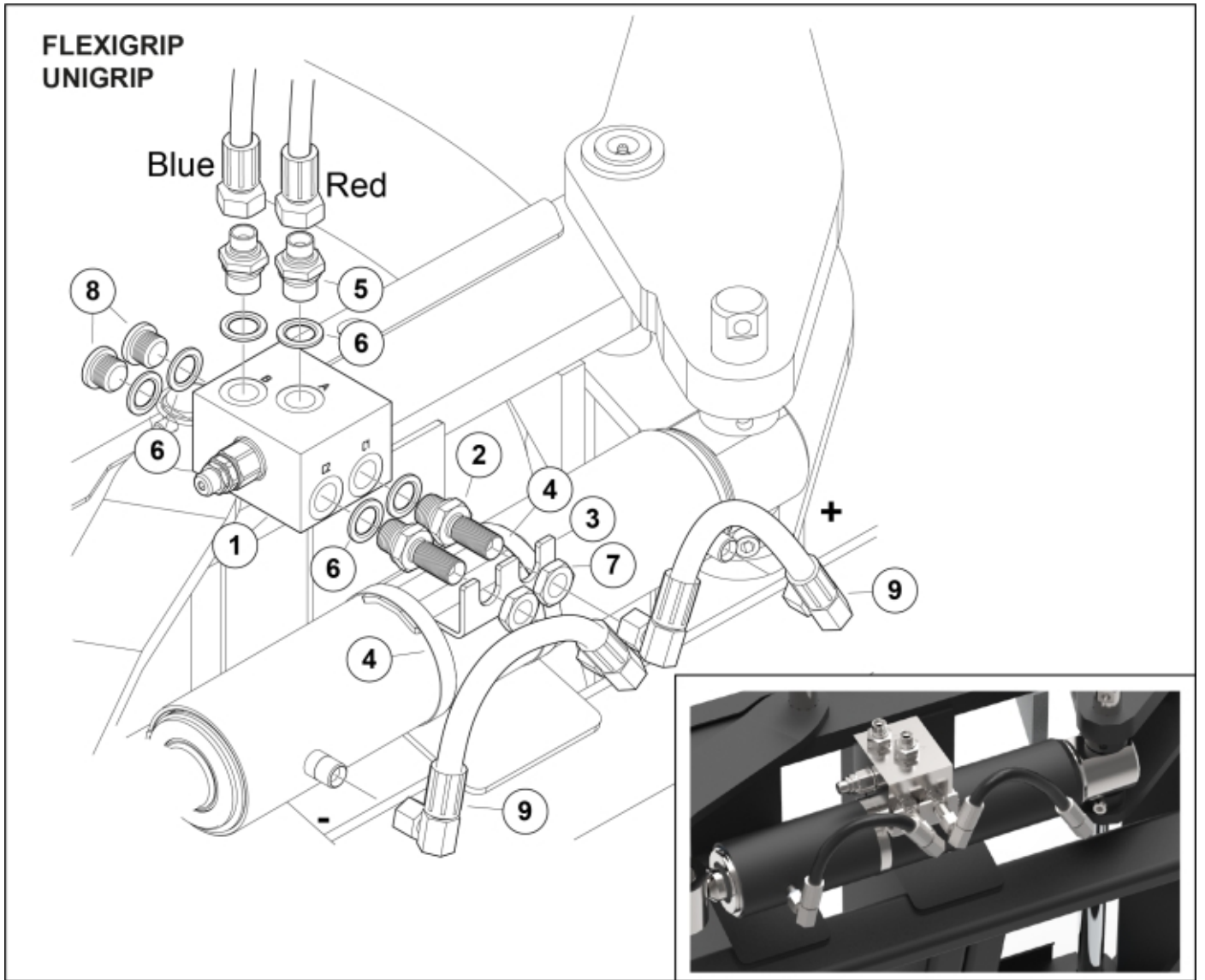


M 60040810-1



M 60040810-2

Part assemblies		Load hold and pressure relief valve kit		
Specification		Year From: 01/01/2020 00:00:00		
PartNo	Pos	Qty	Name	Specifications
60040810		1 PCS	Load hold and pressure relief valve kit	01/01/2020 00:00:00
60040685	1	1	Pressure relief valve	
60104392	2	2	Adaptor	G1/2" - G3/8"
60040439	3	1 PCS	Bracket	
60012275	4	2	Cable tie	80-100 mm
1120011	5	2	Adaptor	R1/2"-R3/8"
5013853	6	6	Dowty washer	Tredo 1/2", Part is included in kit 60007907 Hose cpl., 9032177 Hose cpl.
60020329	7	2	Nut	3/8"
5028245	8	2	Plug	G1/2"
60012354	9	2 PCS	Hose	3/8" L=240 3/8"G90LMC - 3/8"G90LMC
1120099	10	2	Adaptor	3/8" BSP 90°