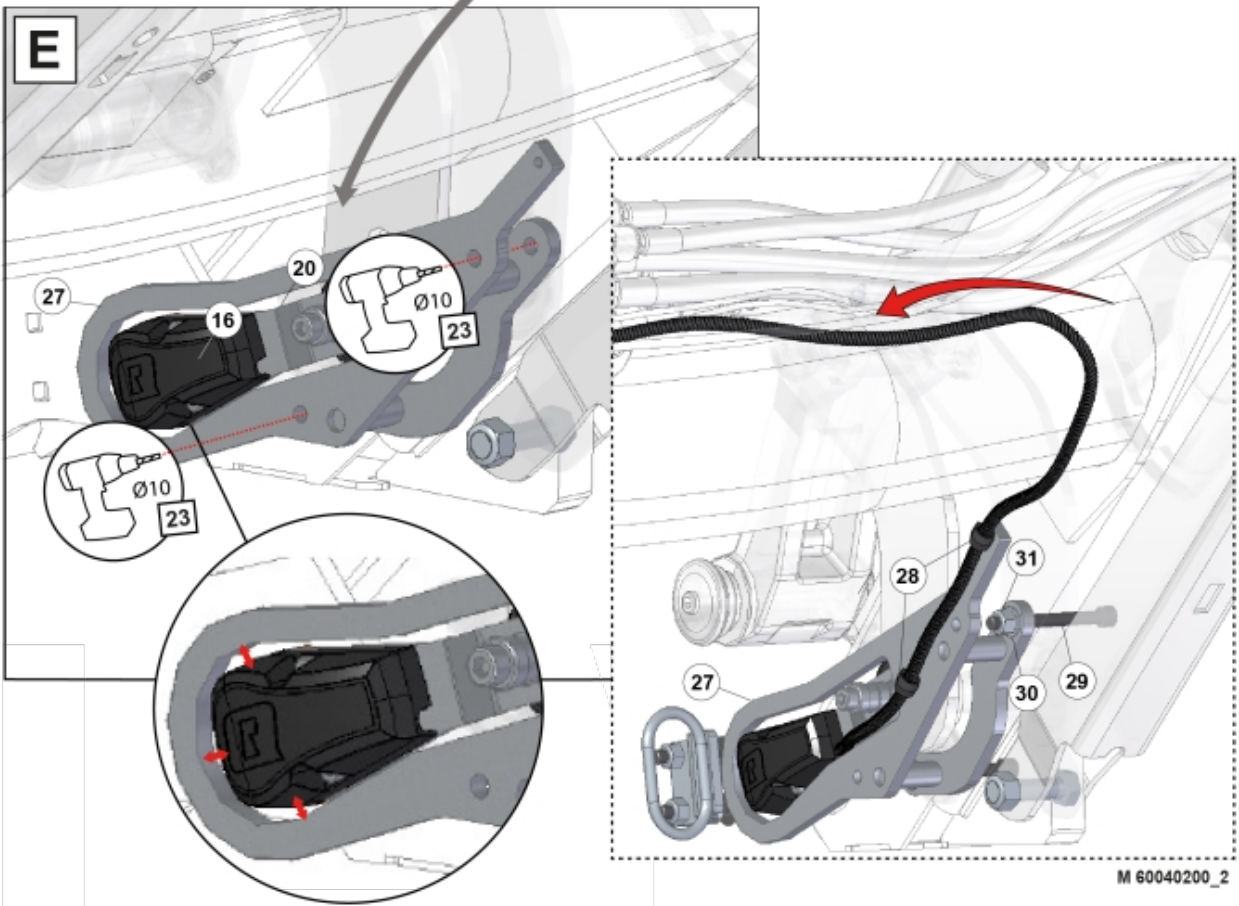
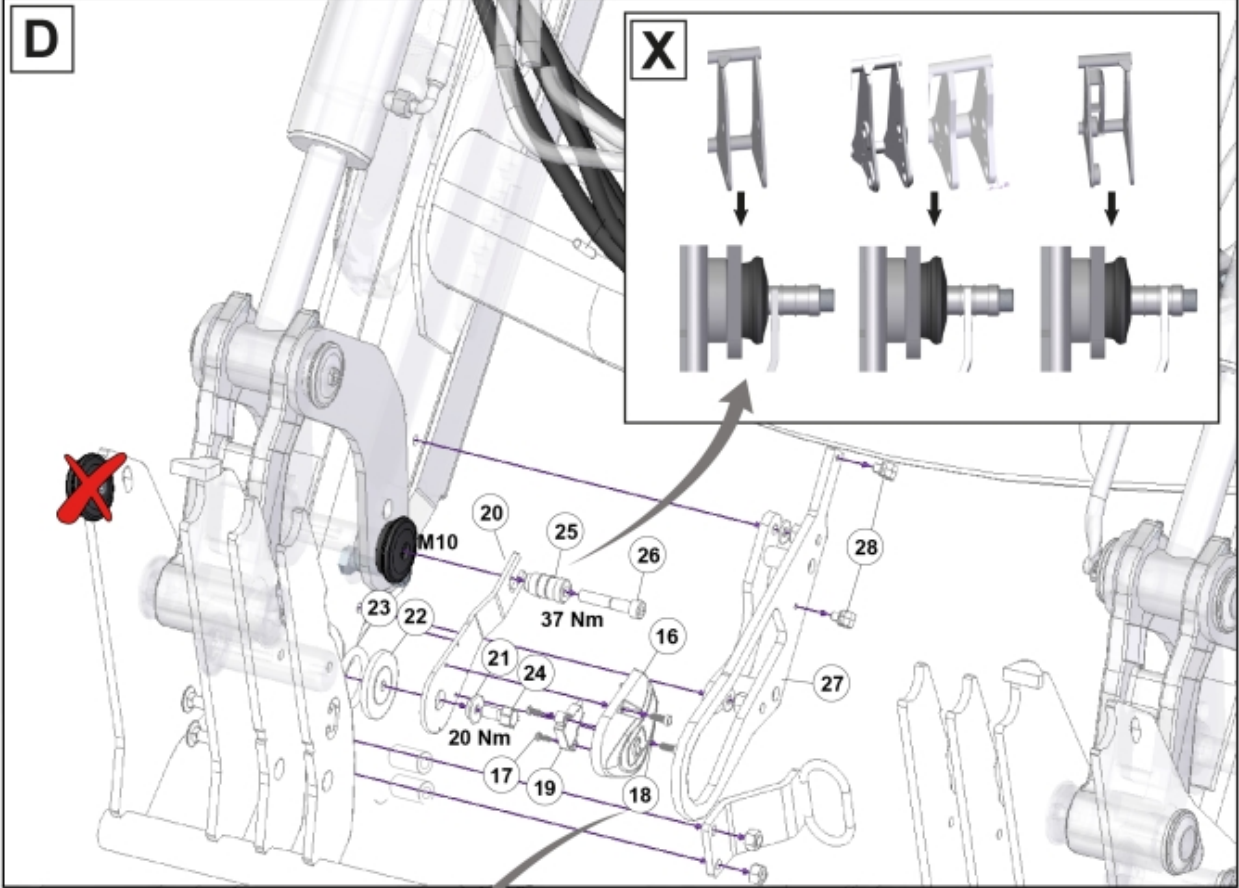
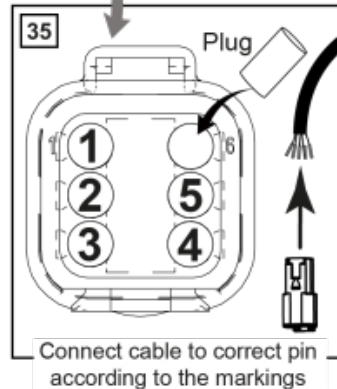
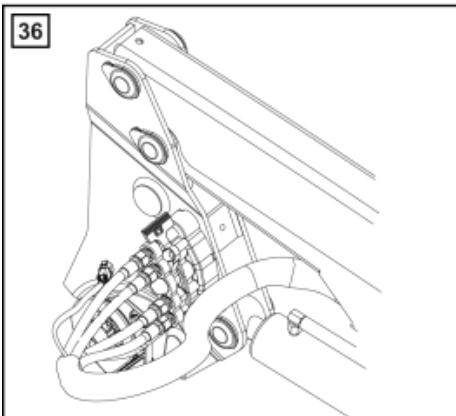
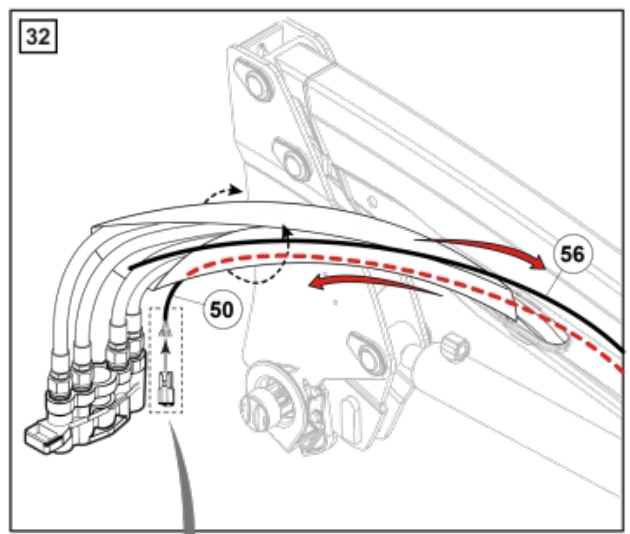
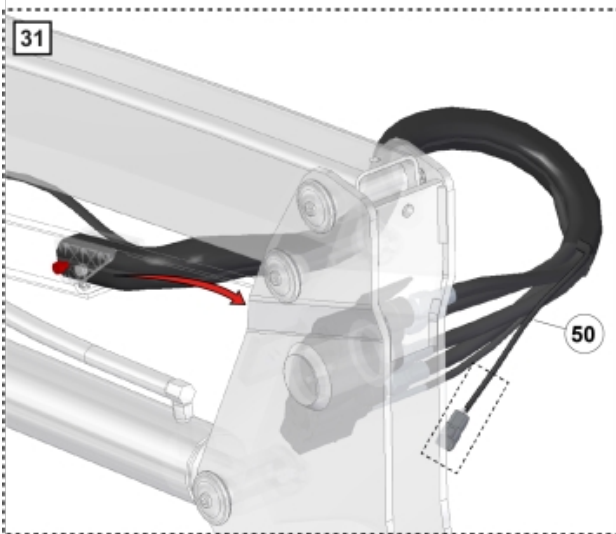
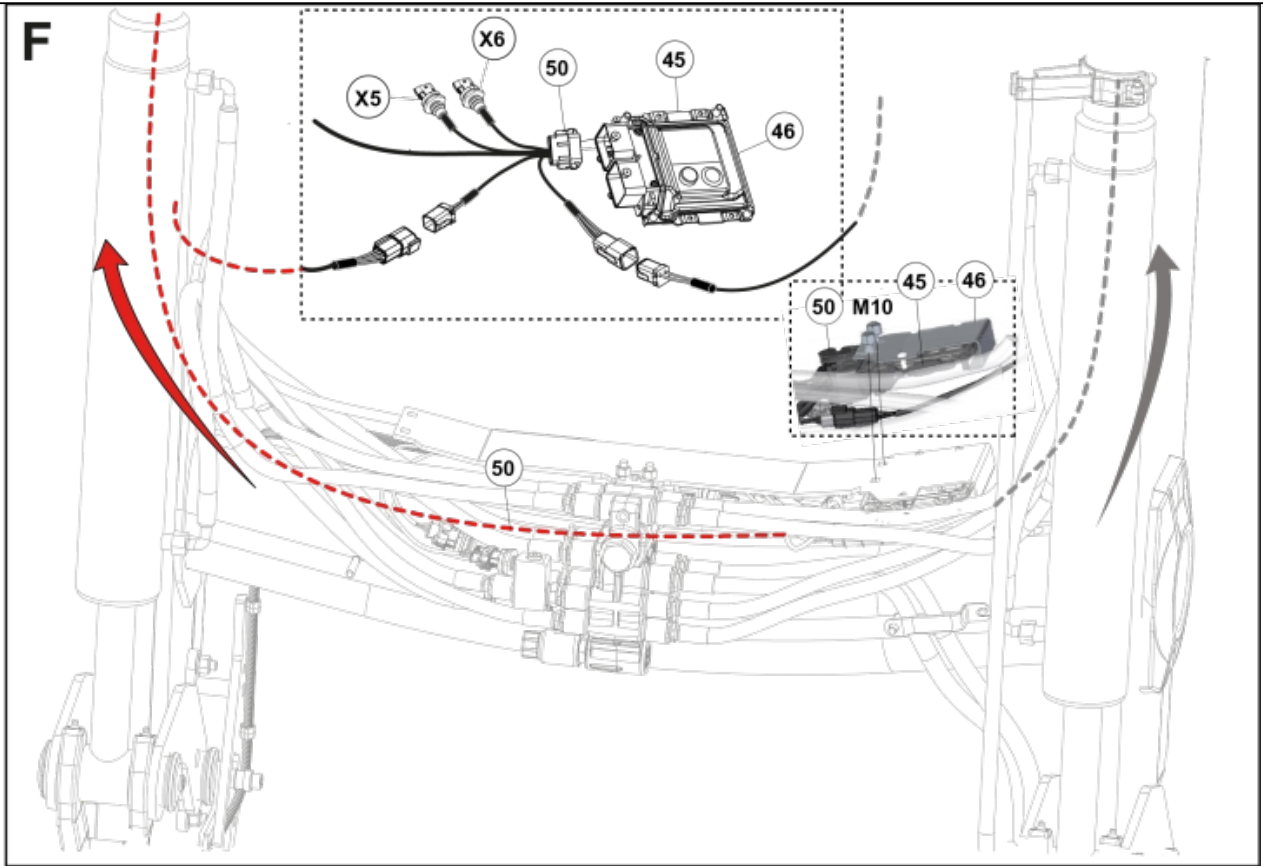
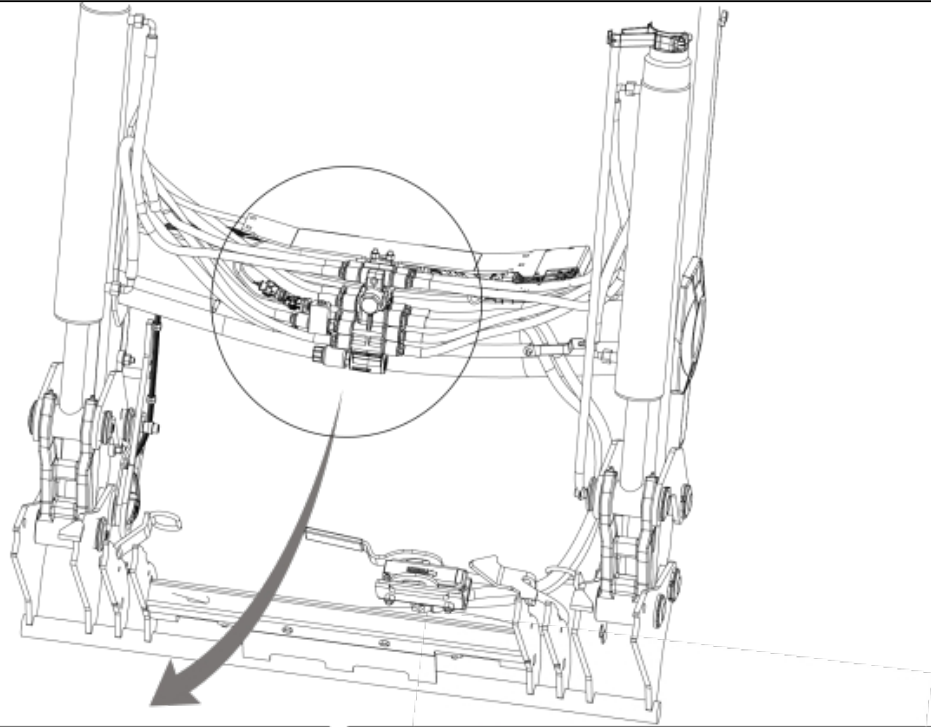


M 60040200_1

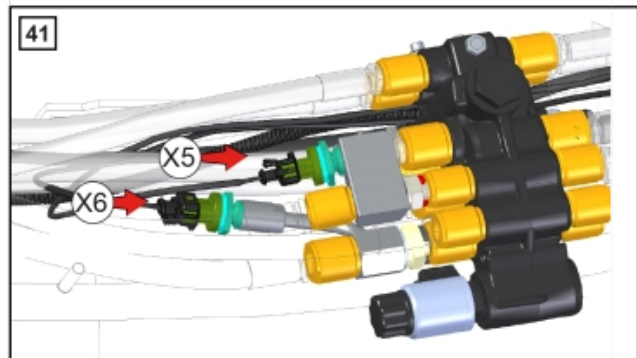
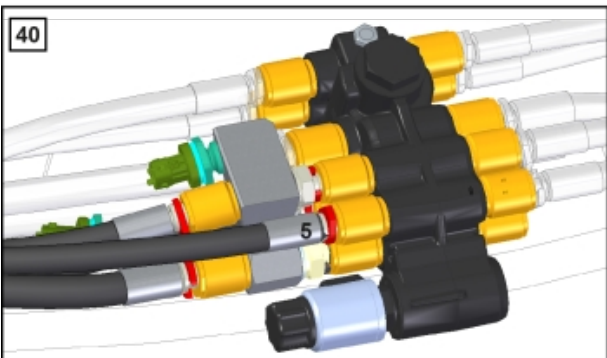
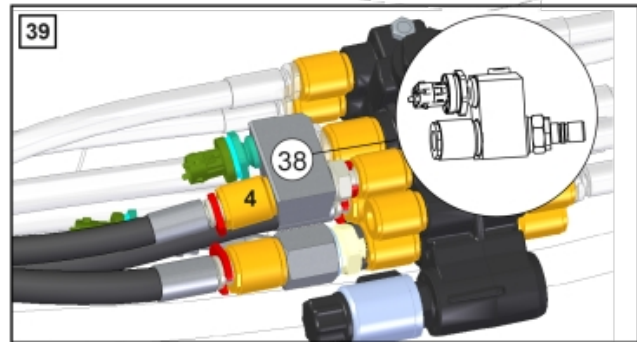
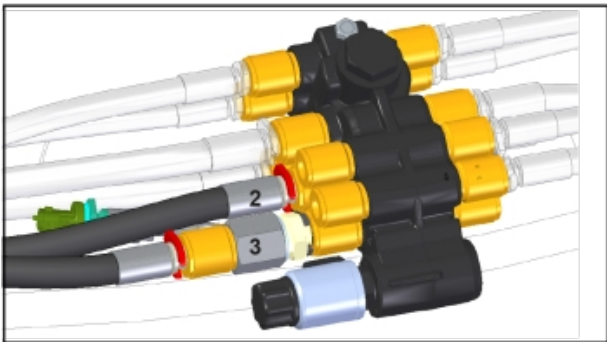
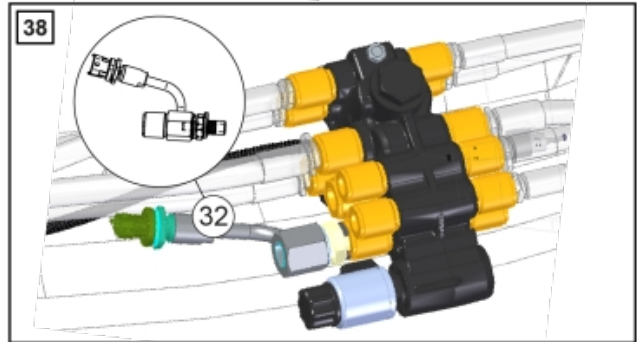
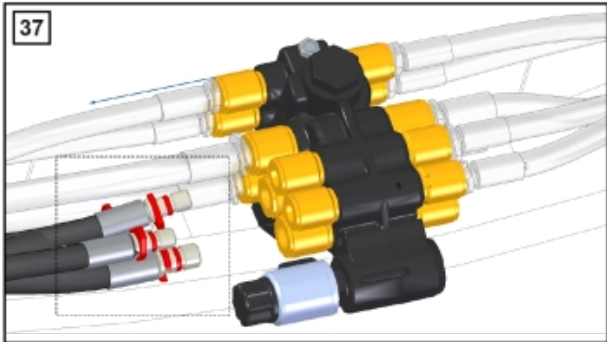




M 60040200_3

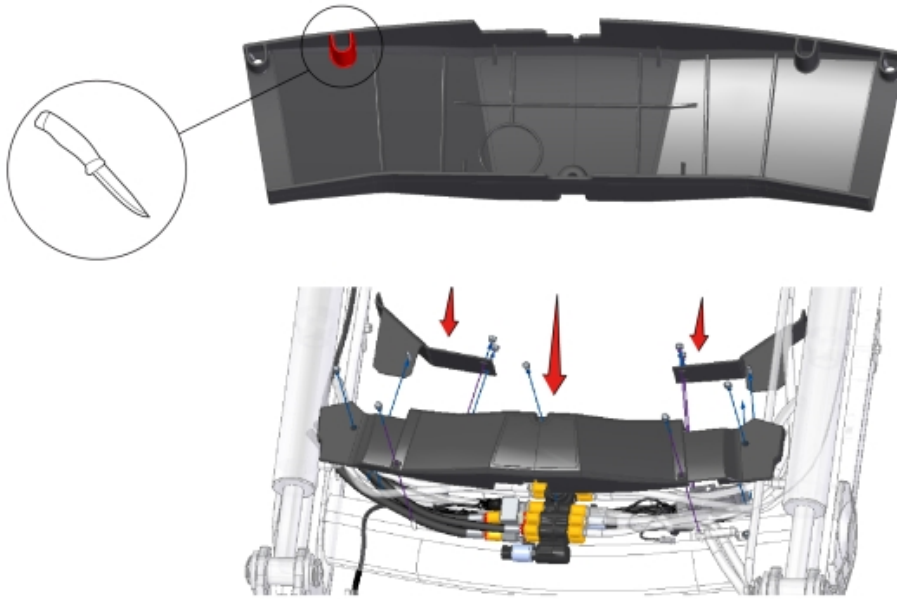


G

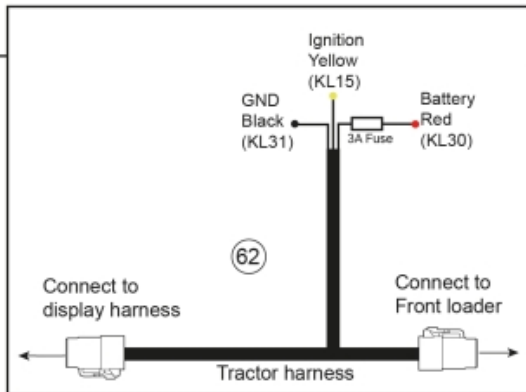
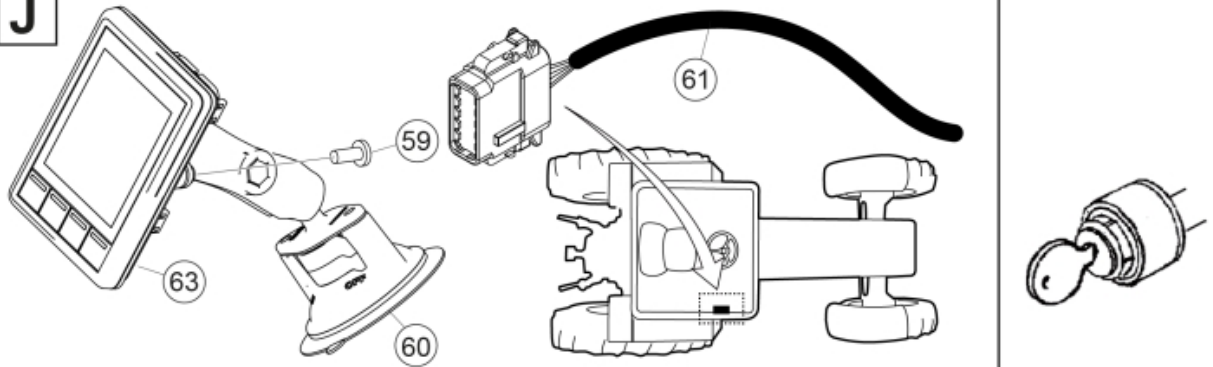


M 60040200_4

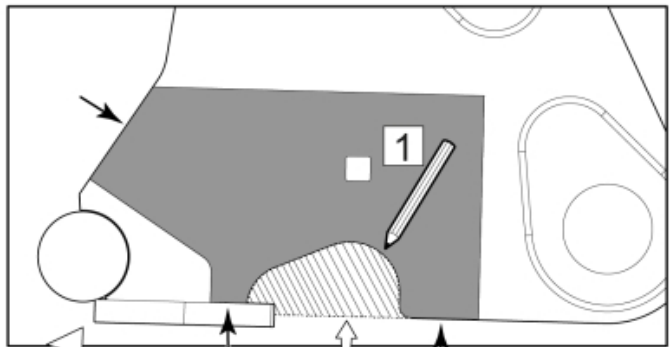
I



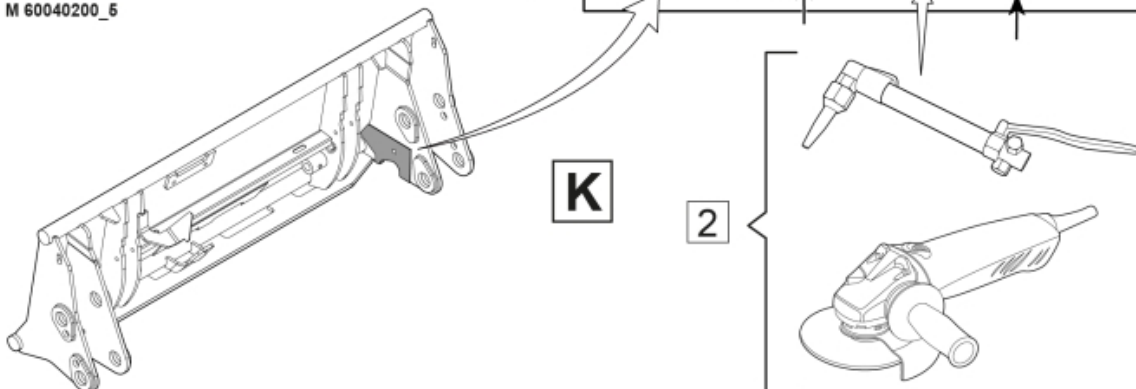
J



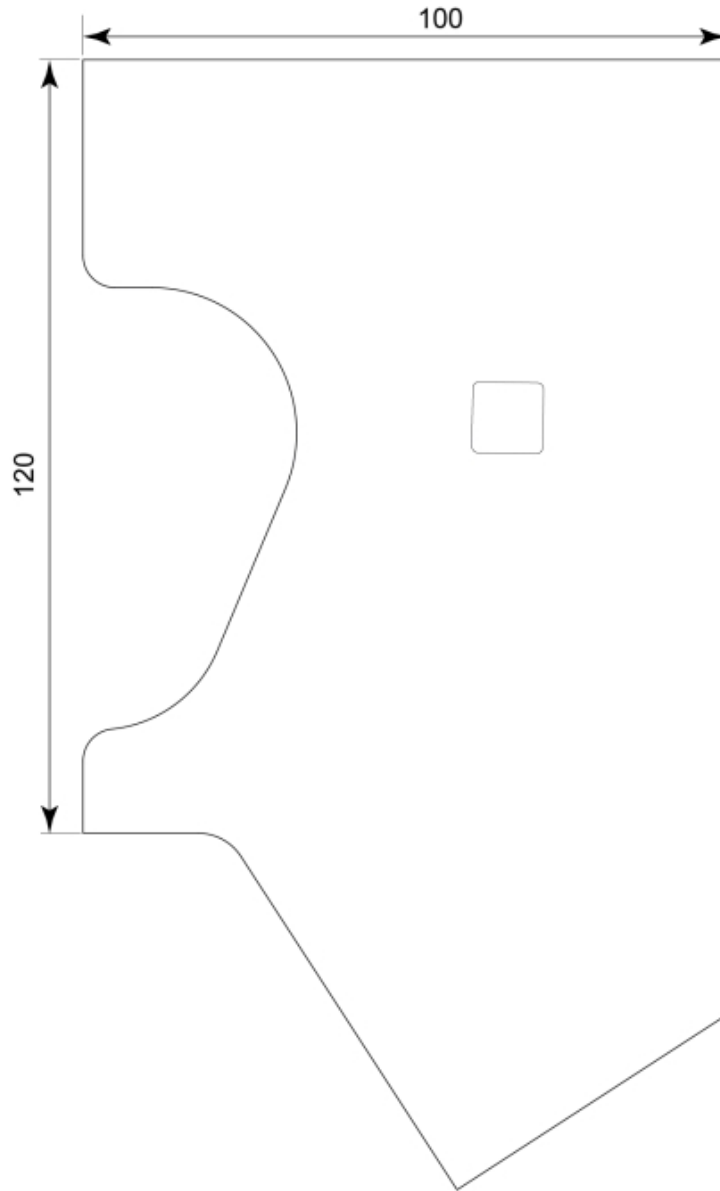
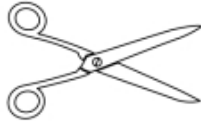
M 60040200_5



K



L



! Printer instruction:
Make sure that "Actual size" is checked.

Part assemblies Q Companion BT QD Kit

PartNo	Pos	Qty	Name	Specifications
60009468	1	1	Angle sensor	Lift
60010426	2	1	• Cover	
5050792	3	2	• Screw	ST3,5x13
60010159	4	2	• Screw	MC6S 8.8 fzb M5x16
60009467	5	1	• Sensor	
60007713	6	1	Guide plate	
60103772	7	1	Bushing	
60007693	8	1	Washer	
60008010	9	1	O-ring	
60007071	10	1	Magnetic screw	M10 x 1,5
60009767	11	1	Cable lock	
60040097	12	1	Guide pin	
5013110	13	1	Washer	BRB 10.5x22x2
5004954	14	1	Screw	MC6S M10x100
60009466	15	1	Angle sensor	Tilt
60010426	16	1	• Cover	
5050792	17	2	• Screw	ST3,5x13
60010159	18	2	• Screw	MC6S 8.8 fzb M5x16
60008252	19	1	• Sensor	
60038850	20	1	Guide plate	
60103772	21	1	Bushing	
60007693	22	1	Washer	
60008010	23	1	O-ring	
60007071	24	1	Magnetic screw	M10 x 1,5
60040087	25	1	Guide pin	
60012971	26	1	Screw	MC6S 8.8 fzb M10 x 60
60040110	27	1	Protective frame	
60009767	28	2	Cable lock	
5004954	29	2	Screw	MC6S M10x100
5013110	30	2	Washer	BRB 10.5x22x2
5011554	31	2	Nut	Loc-King M10
60040265	32	1	Sensor kit	
60040264	33	1	• Adaptor	
60007803	34	1	• Pressure sensor	
5013853	35	1	• Dowty washer	Tredo 1/2", Part is included in kit 60007907 Hose cpl., 9032177 Hose cpl.
5028061	36	1	• Coupling	
9031325	37	1	• Coupling	1/2"
60040254	38	1	Sensor kit	
60040253	39	1	• Block	
60040031	40	1	• WEO 3/8"-3/8" Hose	
4501309	41	1	• Pressure sensor	
5028242	42	1	• Plug	G1/8"
5013852	43	1	• Dowty washer	Tredo 3/8"
9031324	44	1	• Coupling	3/8"
4501119	45	1	ECU kit	
60040179	46	1	• Protection plate	
60006032	47	1	• Cover	

5051610	48	3	• Screw	
5011935	49	3	• Nut	
60022711	50	3	Harness	
60036472	54	4	• Cable tie	
60041848	56	1	• Wire	
5033621	57	1	• Cable tie	4.6x150
60035031	58	1	Display kit	
60007804	59	2	• Screw	MRX 4.8 fzb 5x12
60007807	60	1	• Bracket	
60029453	63	1	• Display	
60011281	61	1	Harness	
60011270	62	1	Harness	