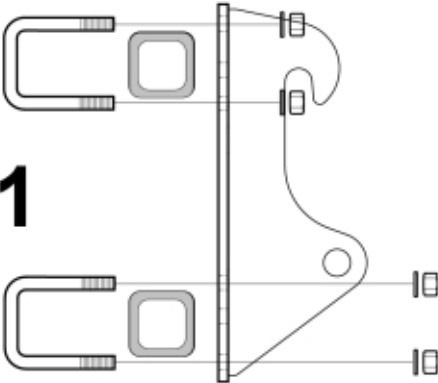
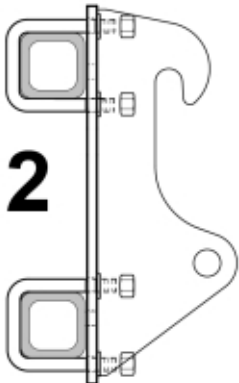


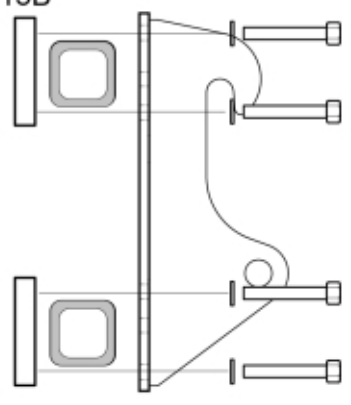
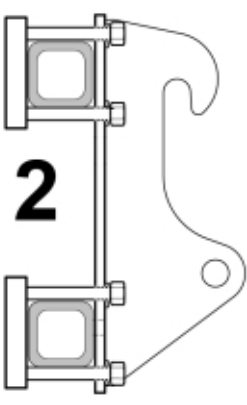


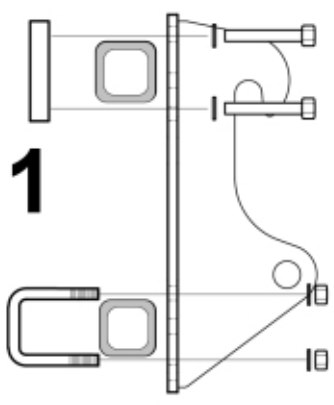
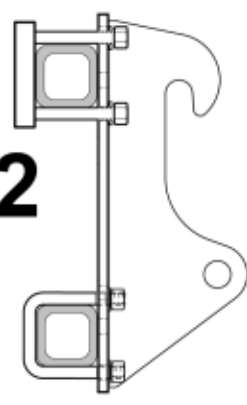
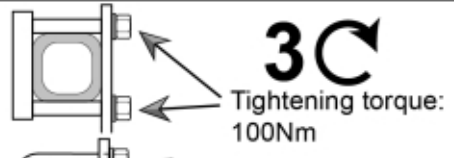
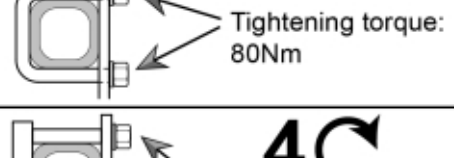
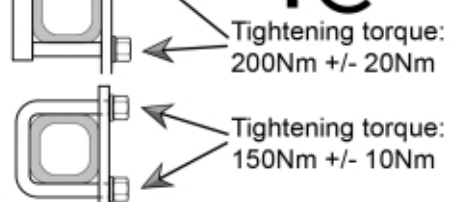


<p>11255368A 11255368Q 11255415A 11255415Q</p> <p><b>1</b></p> 	<p><b>2</b></p> 	<p><b>3</b> </p> <p>Tightening torque: 80Nm</p> <hr/> <p><b>4</b> </p> <p>Tightening torque: 150Nm +/- 20Nm</p>
--	---	---

<p>11255368B 11255415B</p> <p><b>1</b></p> 	<p><b>2</b></p> 	<p><b>3</b> </p> <p>Tightening torque: 100Nm</p> <hr/> <p><b>4</b> </p> <p>Tightening torque: 200Nm +/- 20Nm</p>
---	--	---

<p>11255368C 11255415C</p> <p><b>1</b></p> 	<p><b>2</b></p> 	<p><b>3</b> </p> <p>Tightening torque: 100Nm</p> <p><b>4</b> </p> <p>Tightening torque: 200Nm +/- 20Nm</p> <hr/> <p><b>5</b> </p> <p>Tightening torque: 150Nm +/- 10Nm</p>
--	---	---

**Part assemblies** Attachment kit Kramer Short

<b>PartNo</b>	<b>Pos</b>	<b>Qty</b>	<b>Name</b>	<b>Specifications</b>
11255368		1	Attachment kit Kramer Short	
60036674	1	1 PCS	Attachment Kramer	
60004374	2A	1 PCS	Bolt kit	
60020469		8	• U-bolt	80x80 M16 (60003288)
5013105		16	• Washer	BRB 17 x 30 x 3 300HV
5011557		16	• Nut	Loc-King M16
60004375	2Q	1 PCS	Bolt kit	
60020468		8 PCS	• U-bolt	80x40 M16 (60003289)
5013105		16	• Washer	BRB 17 x 30 x 3 300HV
5011557		16	• Nut	Loc-King M16
60025035	2B	1 PCS	Bolt kit	
60050544		8 PCS	• Plate	
5050888		16	• Screw	M6S M16x90 10.9
5013105		16	• Washer	BRB 17 x 30 x 3 300HV
60021354	2C	1 PCS	Bolt kit	
60050544		4 PCS	• Plate	
5050810		8	• Screw	M6S M16x120
5013105		16	• Washer	BRB 17 x 30 x 3 300HV
60020469		4	• U-bolt	80x80 M16 (60003288)
5011557		8	• Nut	Loc-King M16