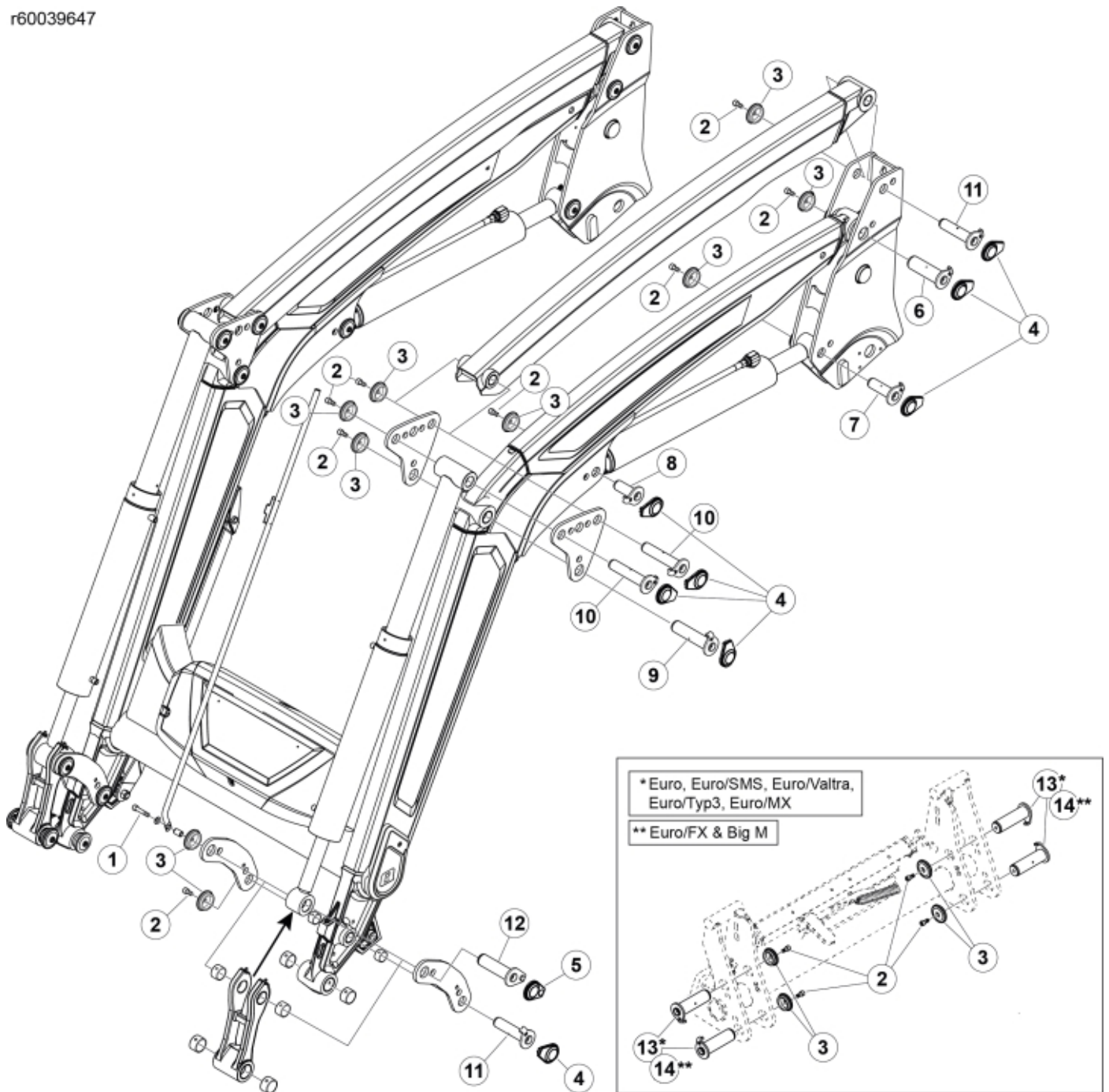


r60039647



<b>Part assemblies</b>		<b>Pin kit</b>		
<b>Specification</b>		<b>Specification: Q3S-Q5L</b>		
<b>PartNo</b>	<b>Pos</b>	<b>Qty</b>	<b>Name</b>	<b>Specifications</b>
60039647		1	Pin kit	Q3S-Q5L
5050605	1	1	Screw	MC6S 10x50 Loc
5050608	2	21	Screw	MC6S M10x20 Loc
5215131	3	22	Locking cover	
60008692	4	20	Plastic cover	
60107382	5	2	Plastic cover	
60018062	6	2	Pivot Pin	D=40, L=127mm
60018047	7	2	Pivot Pin	D=30, L=96mm
60004177	8	2	Pivot Pin	D=30, L=80mm
60000355	9	2	Pivot Pin	D=35, L=147mm
60033598	10	4	Pivot Pin	D=30, L=147mm
60018046	11	4	Pivot Pin	D=30, L=127mm
60003247	12	2	Pivot Pin	D=35, L=127mm
60006415	13	4	Pin	D40 L=134
60019828	14	4	Pivot Pin	D=40, L=147mm