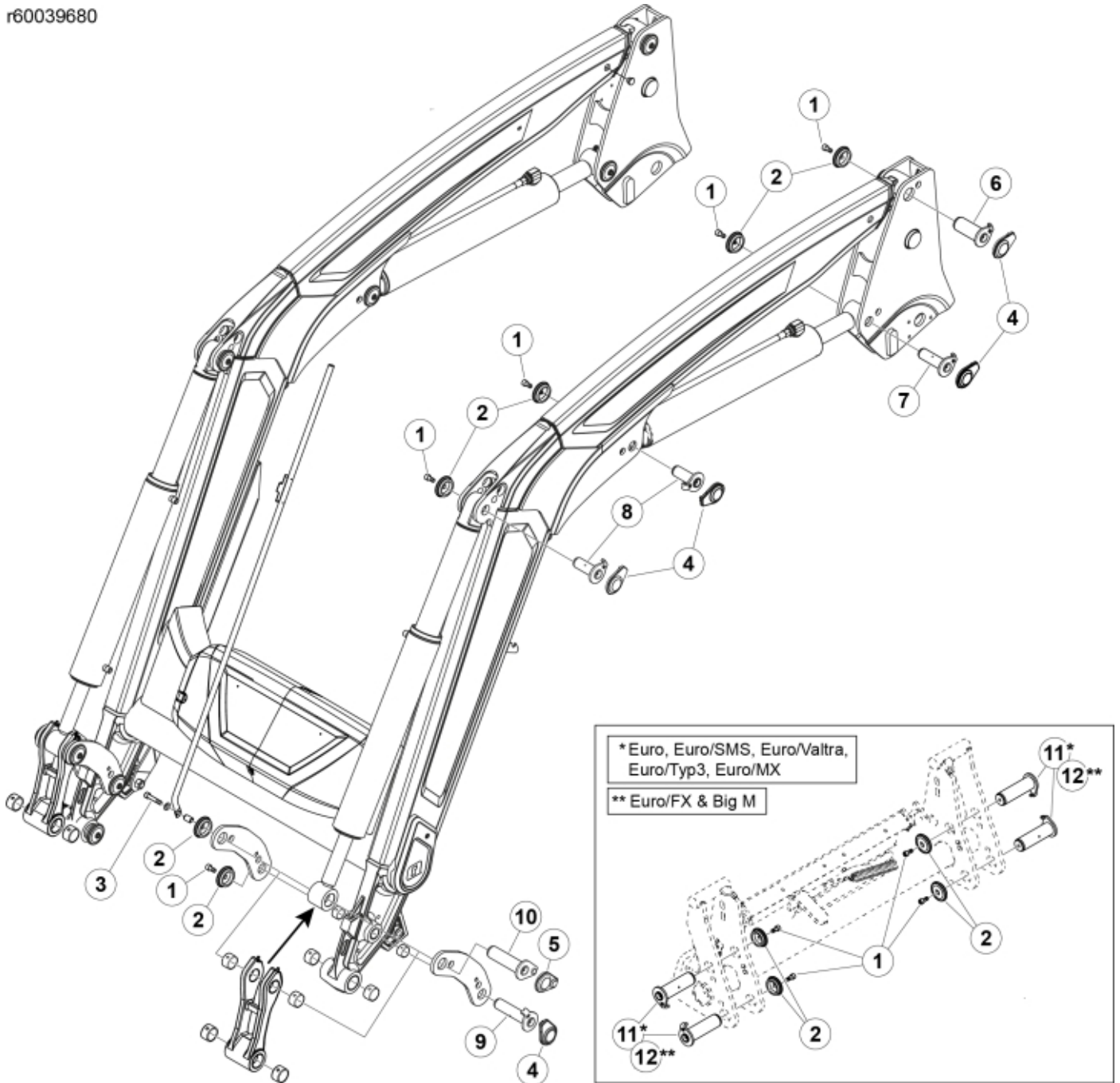


r60039680



---

**Part assemblies** Pin kit  
**Specification** Specification: Q3  
Specification: Q4  
Specification: Q5

---

<b>PartNo</b>	<b>Pos</b>	<b>Qty</b>	<b>Name</b>	<b>Specifications</b>
60039680		1 PCS	Pin kit	Q3, Q4, Q5
5050608	1	15	Screw	MC6S M10x20 Loc
5215131	2	16	Locking cover	
5050605	3	1	Screw	MC6S 10x50 Loc
60008692	4	14	Plastic cover	
60107382	5	2	Plastic cover	
60000350	6	2	Pivot Pin	D=40, L=96 mm
60018047	7	2	Pivot Pin	D=30, L=96mm
60004177	8	4	Pivot Pin	D=30, L=80mm
60018046	9	2	Pivot Pin	D=30, L=127mm
60003247	10	2	Pivot Pin	D=35, L=127mm
60006415	11	4	Pin	D40 L=134
60019828	12	4	Pivot Pin	D=40, L=147mm