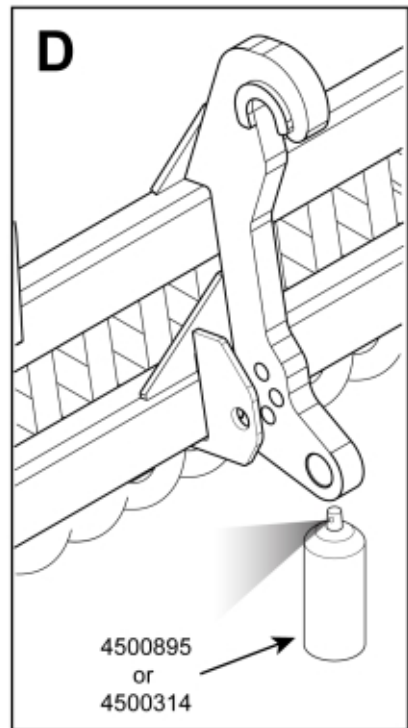
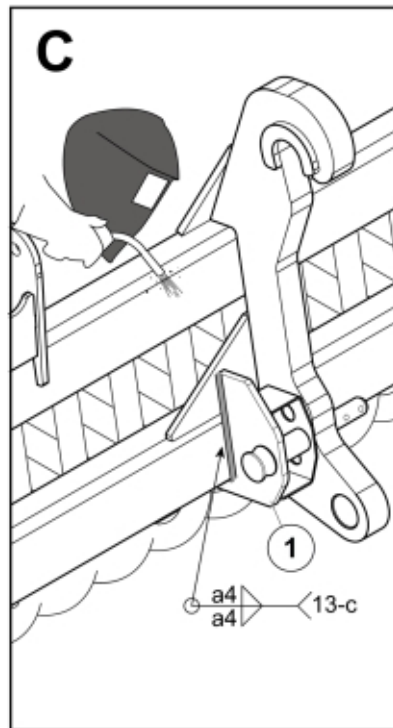
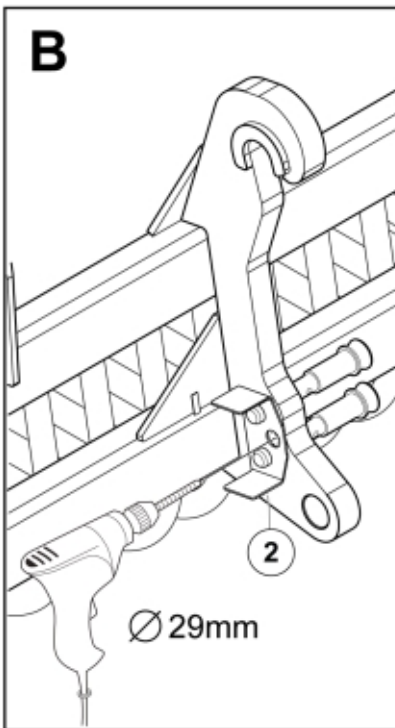


M 60043841



Part assemblies Rework kit

PartNo	Pos	Qty	Name	Specifications
60043841		1 PCS	Rework kit	
60043586	1	2 PCS	Bracket	
60043813	2	1 PCS	Template	