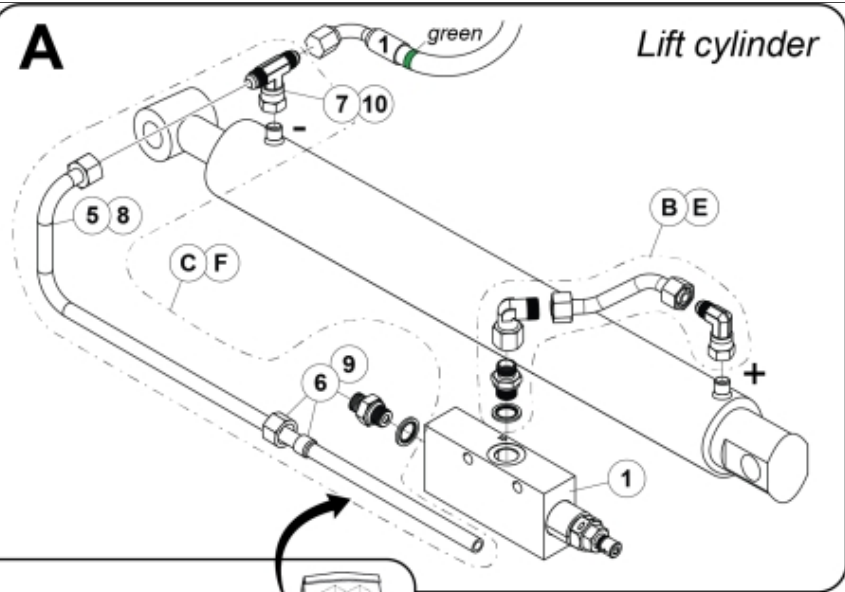
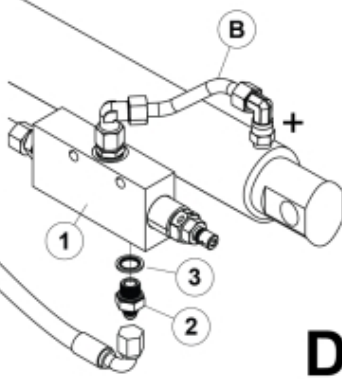
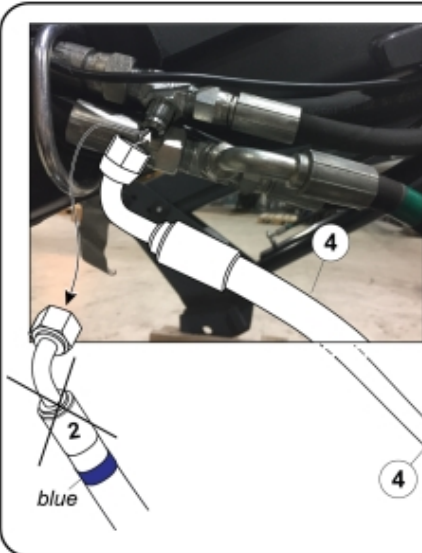
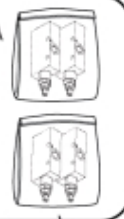


M 60033702

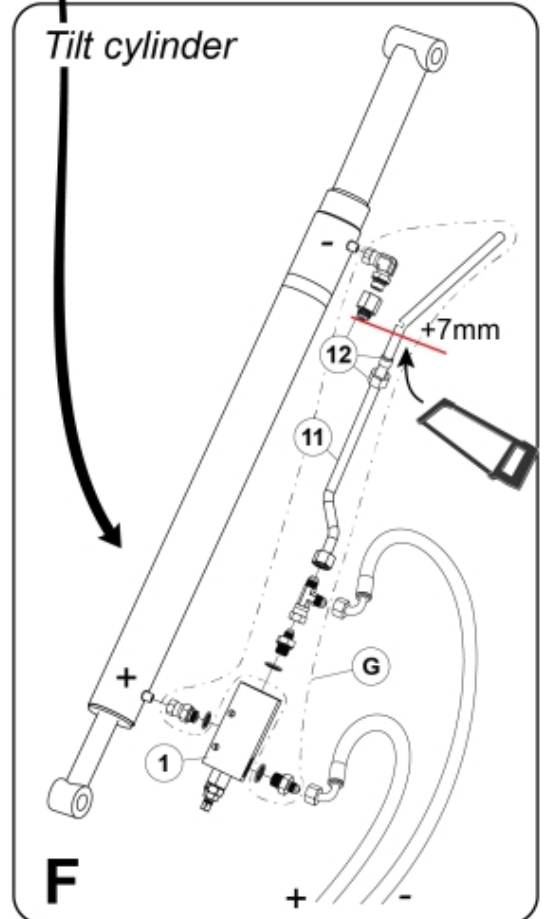


Valves are packed in plastic bags as matched pairs. Use one pair for tilt and one pair for lift cylinders.



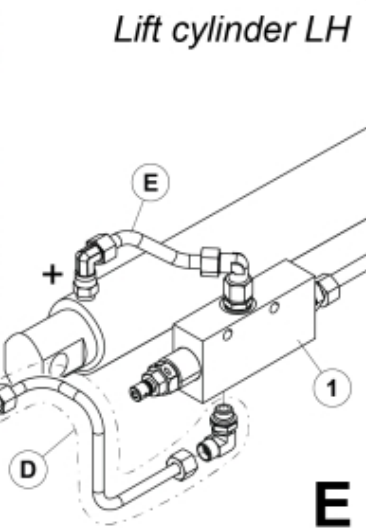
Lift cylinder RH

D



Tilt cylinder

F



Lift cylinder LH

E

| Description | | X-series | | |
|------------------------|------------|-------------------------|-----------------------|-----------------------|
| Part assemblies | | Hose Burst Protection | | |
| Specification | | Specification: X-series | | |
| PartNo | Pos | Qty | Name | Specifications |
| 60033702 | | 1 PCS | Hose Burst Protection | X-series |
| 10550485 | | 1 | Control valve | |
| 10550484 | 1 | 4 | • Valve | |
| 5028040 | 2 | 1 | Adaptor | R3/8" - 9/16" JIC |
| 5013852 | 3 | 1 | Dowty washer | Tredo 3/8" |
| 60033662 | 4 | 1 PCS | Hose | 3/8" L=580mm |
| 5051083 | B | 1 PCS | Pipe B | C2 to Cyl + |
| 5051081 | C | 1 PCS | Pipe C | PIL to Cyl - |
| 5051082 | 5 | 1 PCS | • Pipe | |
| 5051601 | 6 | 1 PCS | • Adaptor | G3/8 ext - Pipe 10 mm |
| 5028105 | 7 | 1 | • Adaptor | |
| 5051316 | D | 1 PCS | Pipe D | V2 to hose + |
| 5051089 | E | 1 PCS | Pipe E | C2 to Cyl + |
| 5051087 | F | 1 PCS | Pipe F | PIL to Cyl - |
| 5051088 | 8 | 1 PCS | • Pipe | |
| 5051601 | 9 | 1 PCS | • Adaptor | G3/8 ext - Pipe 10 mm |
| 5028105 | 10 | 1 | • Adaptor | |
| 60027584 | G | 1 PCS | Pipe G | |
| 5050963 | 11 | 1 PCS | • Pipe | |
| 5051313 | 12 | 1 PCS | • Adaptor | G3/8 int - Pipe 10 mm |