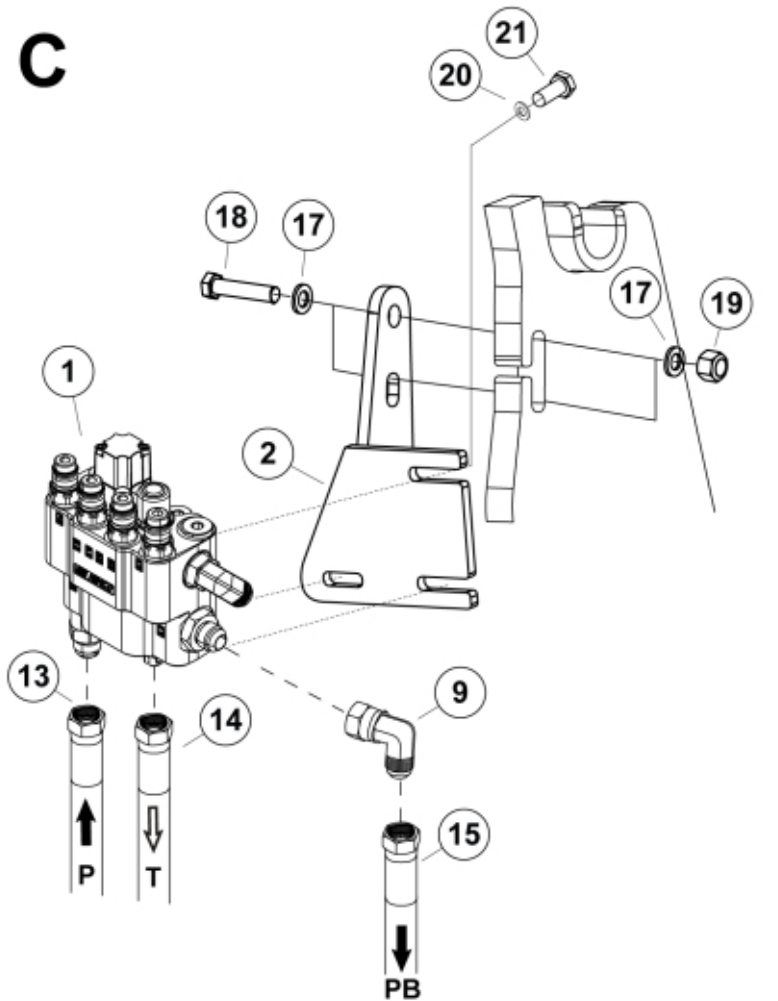
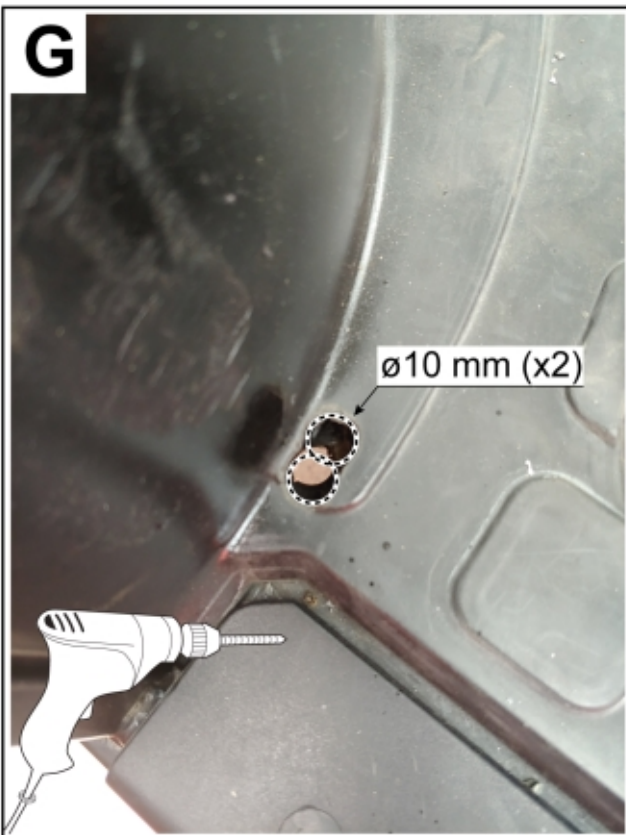
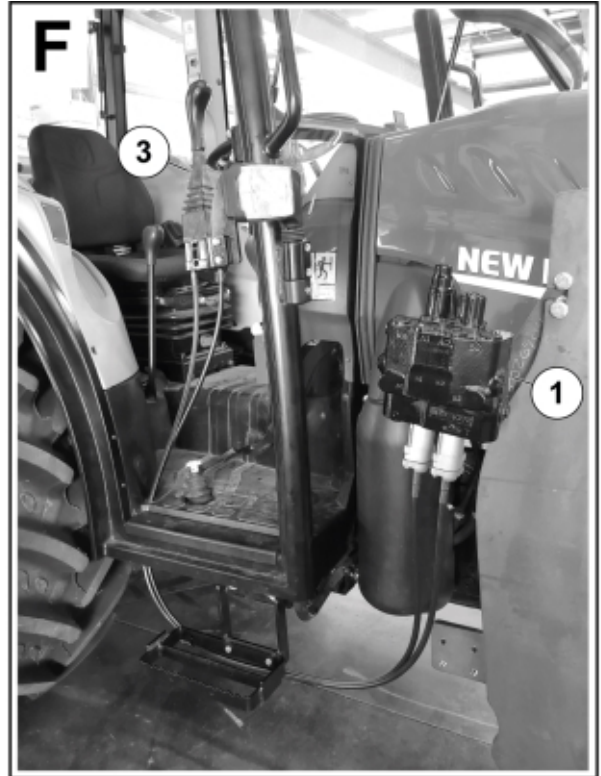
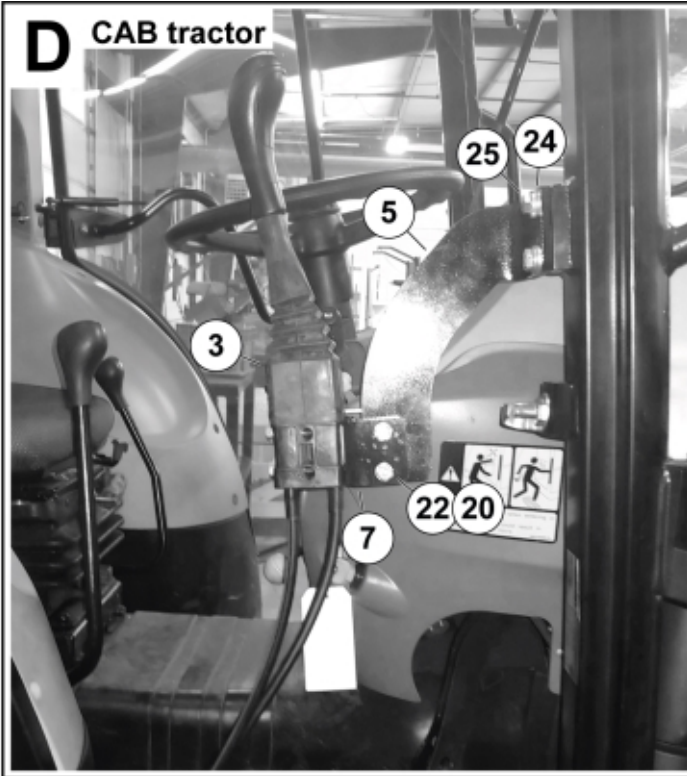
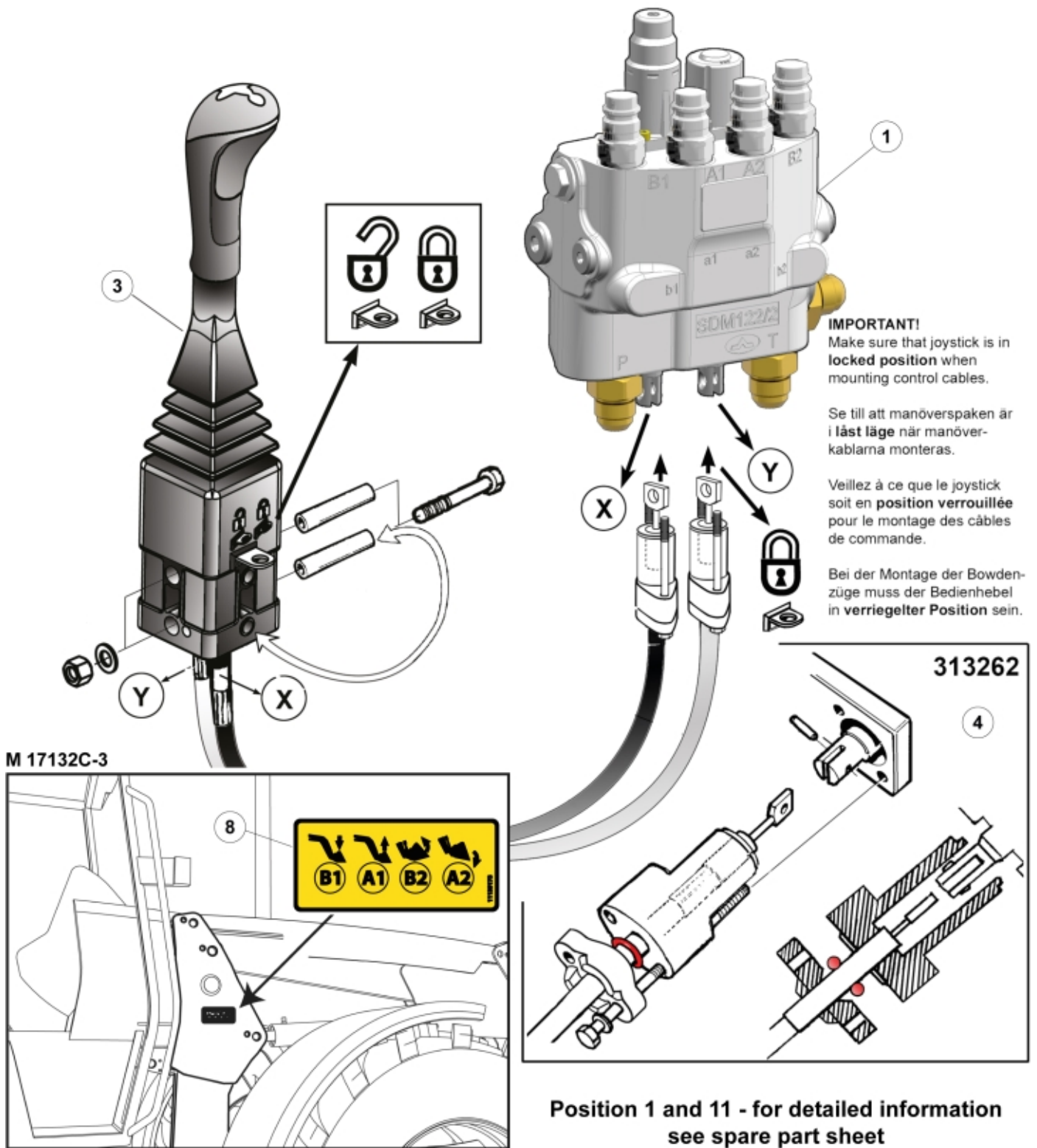


M 17132C-1





M 17132C-2



Part assemblies Hydraulic kit

PartNo	Pos	Qty	Name	Specifications
17132C		1 PCS	Hydraulic kit	
60028688	1	1 PCS	Valve assy.	SDM 122 - Flat Face 3/8"
60026905	2	1 PCS	Valve bracket	
5021074	3	1 PCS	Control lever	L=2000mm
313262	4	1 PCS	Mounting Kit	2 pcs
60044524	5	1 PCS	Bracket	
60041261	6	1 PCS	Bracket	
60041245	7	1 PCS	Bracket	
11135173	8	1	Decal	
5027936	9	1	Adaptor	90°. 1 1/16"UNF JIC
20717257	10	1	Adaptor	7/8"UNF JIC - 1 1/16"UNF JIC, 717257
5027483	11	1	Adaptor	7/8"UNF JIC - M18x1,5
5027935	12	1	Adaptor	7/8"UNF JIC - 1 1/16"UNF JIC
9030906	13	1 PCS	Hose	1/2" L=2270 1 1/16RLM 7/8 90LM
9030905	14	1 PCS	Hose	1/2" L=2070 1 1/16RLM 7/8 90LM
9030907	15	1 PCS	Hose	1/2" L=2470 1/1/16 RLM - 7/8 90LM
5033606	16	6	Cable tie	7,5 x 385
5050017	17	4	Washer	BRB - 13x27x2 350HV
5002108	18	2	Screw	M6S M12x60
5011055	19	2	Nut	M6M M12
5013101	20	10	Washer	BRB 8,4 x 16
5002051	21	3	Screw	M6S 8 x 20
5002053	22	5	Screw	M6S 8 x 30
5011053	23	2	Nut	M6M M8
5013110	24	2	Washer	BRB 10.5x22x2
5002923	25	2 PCS	Screw	M6S M10 x 1,25 x 25 (8.8)