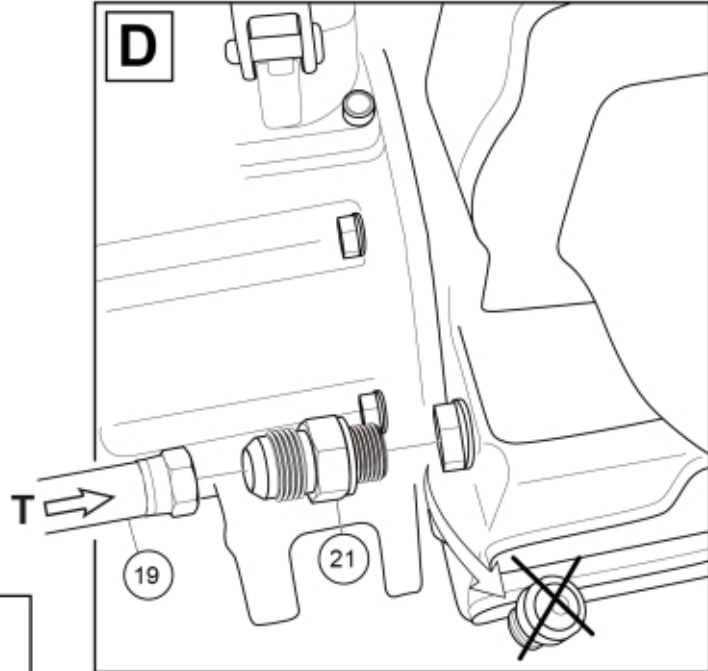
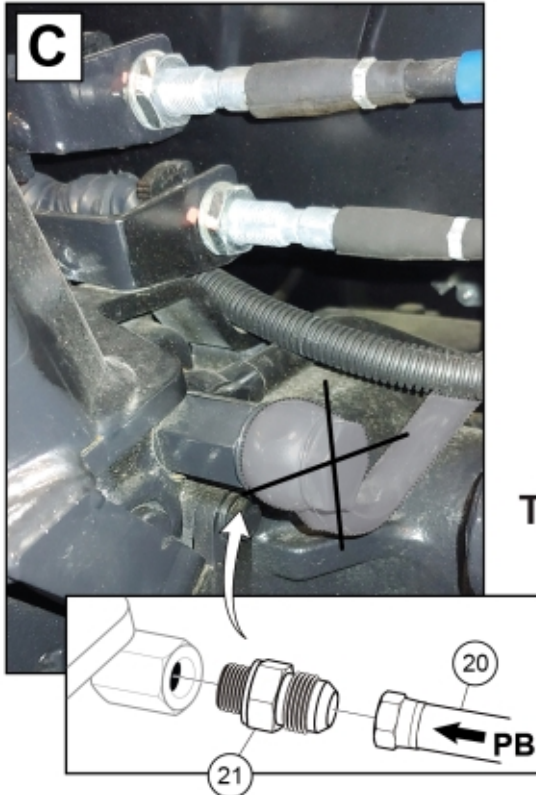
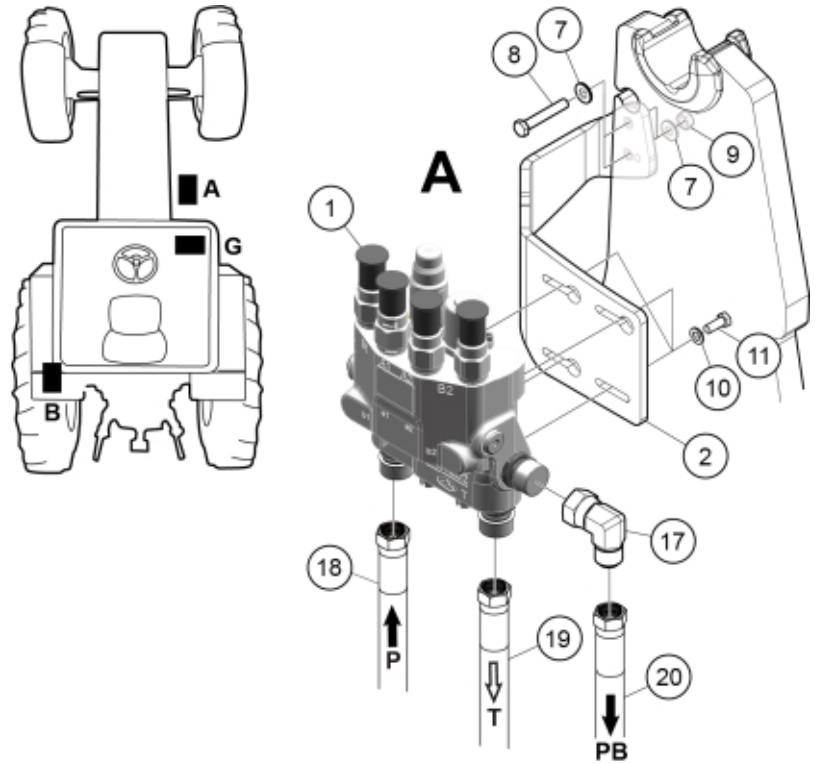
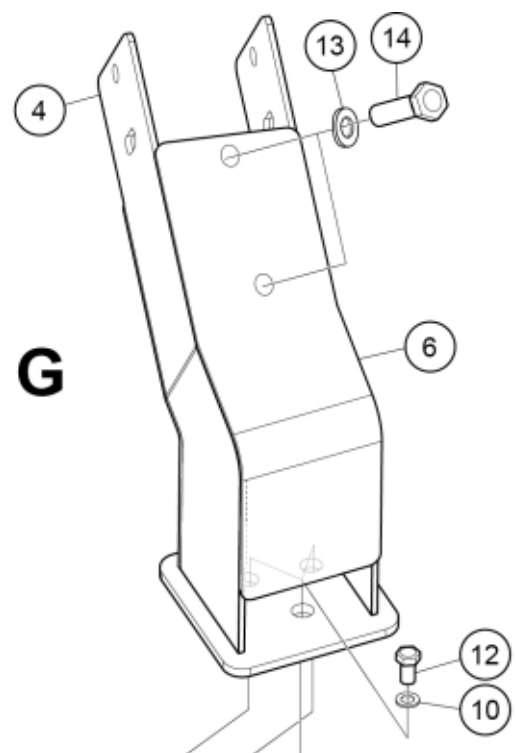
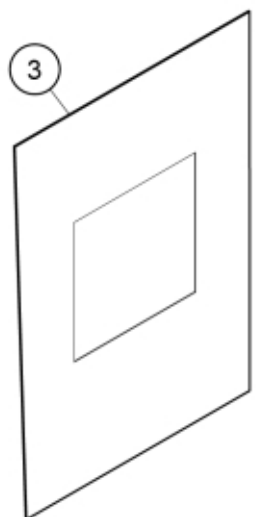


M 17133C_1

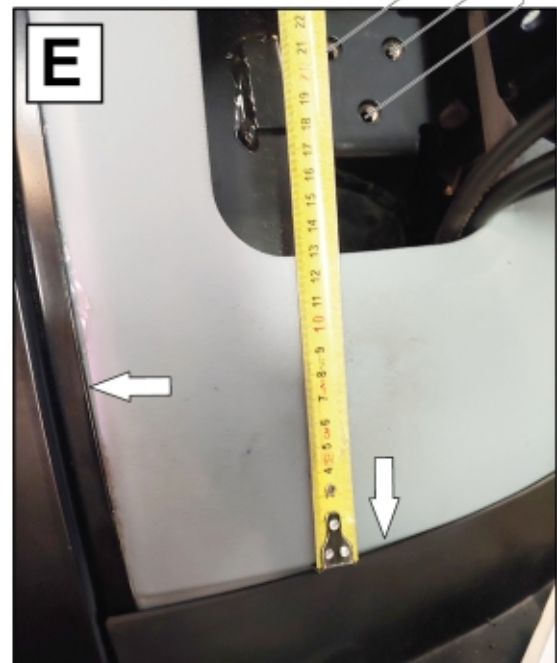


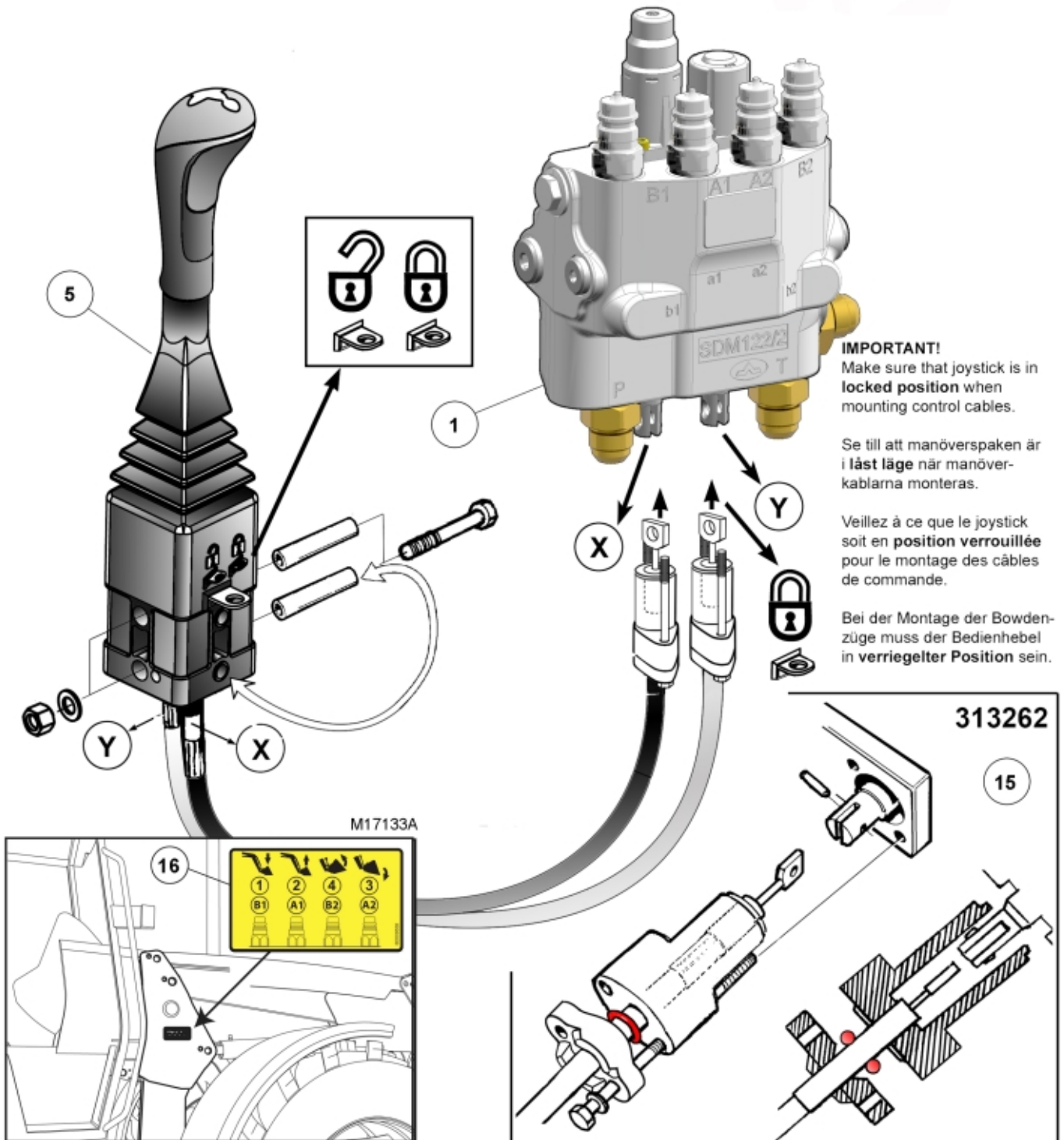


M 17133C_2



Cut-out template





Pos. 1 and 11 - for detailed information see spare part sheet

Part assemblies Hydraulic connection

PartNo	Pos	Qty	Name	Specifications
17133C		1 PCS	Hydraulic connection	
60028688	1	1 PCS	Valve assy.	SDM 122 - Flat Face 3/8"
10418172	2	1 PCS	Valve bracket	
60047319	3	1 PCS	Template	
60046487	4	1 PCS	Joystick bracket	
5021076	5	1 PCS	Control lever	L=2200mm
60046702	6	1 PCS	Front plate	
5013110	7	4	Washer	BRB 10.5x22x2
5002080	8	2	Screw	M6S 10 x 60
5011054	9	2	Nut	M6M M10
5013101	10	7	Washer	BRB 8,4 x 16
5002051	11	4	Screw	M6S 8 x 20
5002060	12	3	Screw	M6S M8x12 (8,8)
5013108	13	2	Washer	BRB 6,4 x 12 x 1,5
5002033	14	2	Screw	M6S M6x12 (8.8)
313262	15	1 PCS	Mounting Kit	2 pcs
60009558	16	1	Decal	
5027936	17	1	Adaptor	90°. 1 1/16"UNF JIC
9032428	18	1 PCS	Hose	1/2" L=2000 1 1/16 RLM 1 ORLM
5050008	19	1 PCS	Hose	1/2" L=2400 1 1/16RLM O90LM
9030908	20	1 PCS	Hose	1/2" L=2670 1 1/16RLM - 7/8 90LM
5027483	21	2	Adaptor	7/8"UNF JIC - M18x1,5
5033606	22	1	Cable tie	7,5 x 385