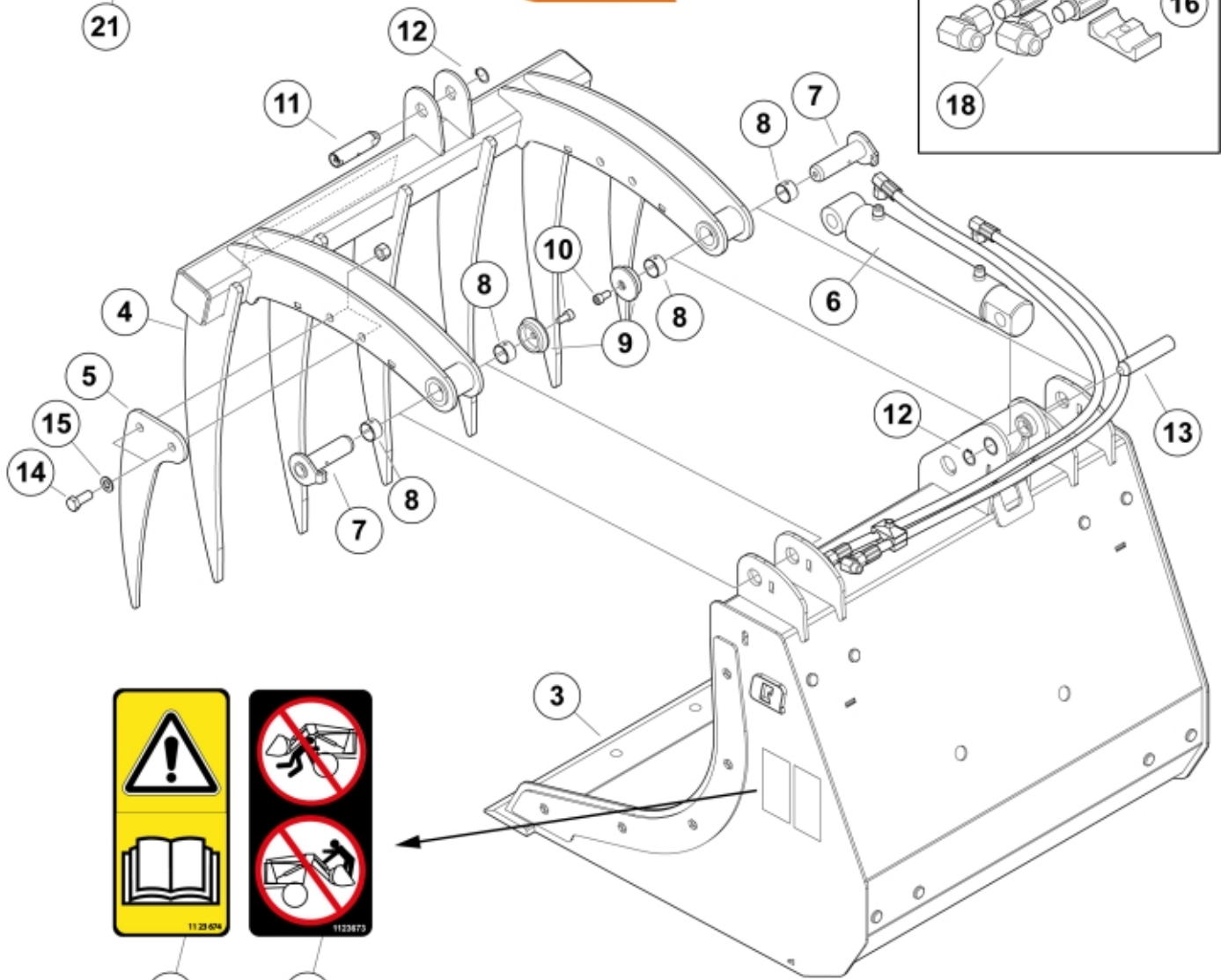
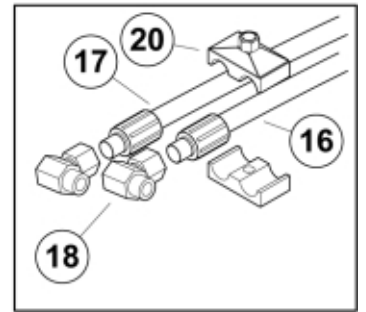


## Quicke Multibenne™ S+



1



2

r11255715-16

<b>Part assemblies</b>		Multibenne S+ 90		
<b>Specification</b>		Year From: 01/08/2020 00:00:00		
<b>PartNo</b>	<b>Pos</b>	<b>Qty</b>	<b>Name</b>	<b>Specifications</b>
11255715		1	Multibenne S+ 90	01/08/2020 00:00:00
1123674	1	1	Warning decal	"Read manual"
1123673	2	1	Warning decal	
60046400	3	1	Cutting edge	90
60051290	4	5	Tine	
11260312-22	5	2	Side tine	
60051486-1	6	1	Cylinder	
9020110	7	2	Pivot Pin	D=30, L=105mm
5018515	8	4	Bushing	D30 L=20
5215131	9	2	Locking cover	
5004917	10	2	Screw	
60053050	11	1	Pin	
5050817	12	2	Circlip	
60051551	13	1	Pin	
5002127	14	4	Screw	M6S M14 x 35
5013107	15	4	Washer	BRB 15 x 26 x 2
60057816		1	Hose kit	
60057846	16	1	• Hose	3/8" L=540 3/8G90LMC 3/8GRU
60057847	17	1	• Hose	3/8" L=795 3/8G90LMC 3/8GRU
1120099	18	2	Adaptor	3/8" BSP 90°
5016968	20	1	Hose clamp	
60051752	21	1 PCS	Decal	Multibenne S+
60056626	22	2	Decal	
5022119		2	Plug	