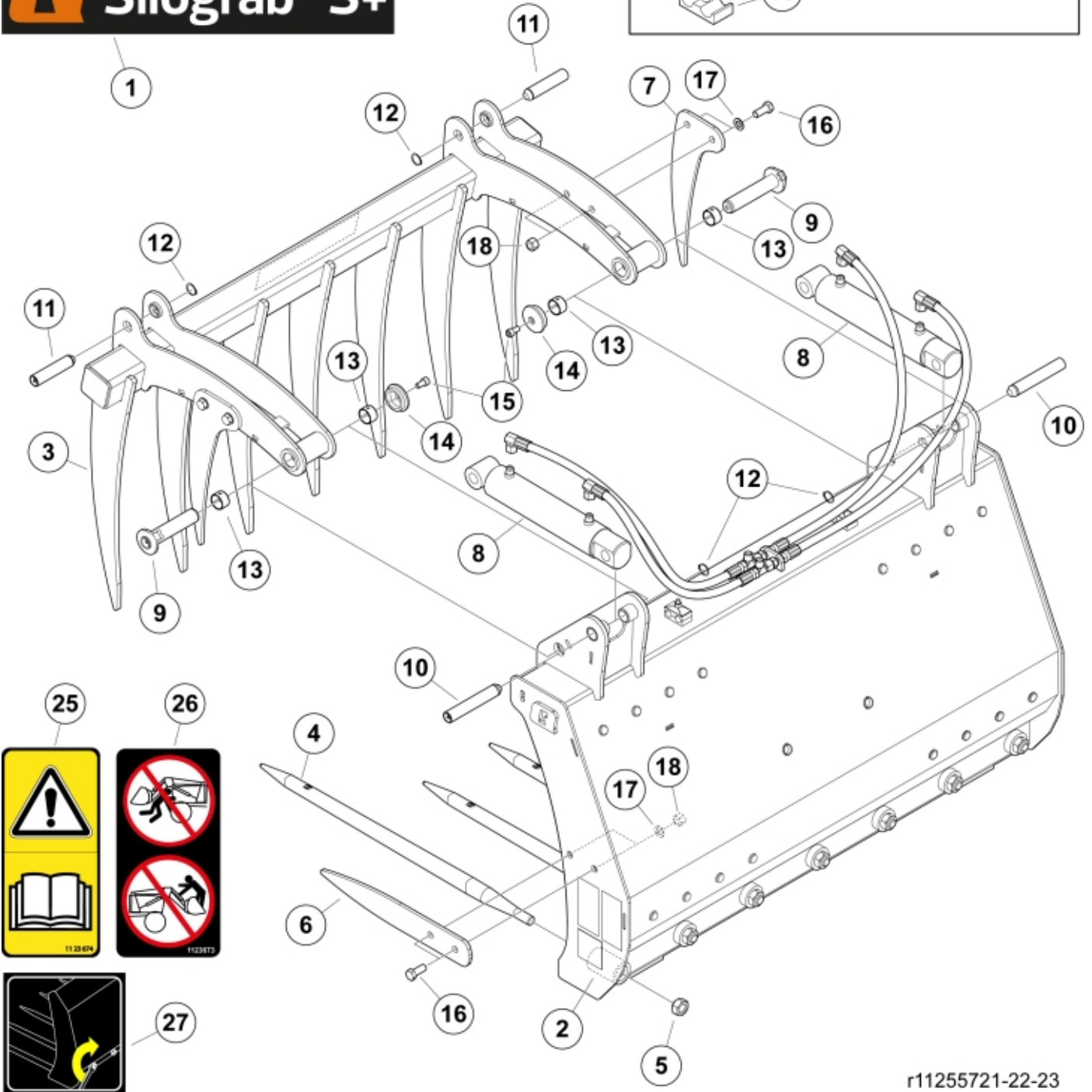
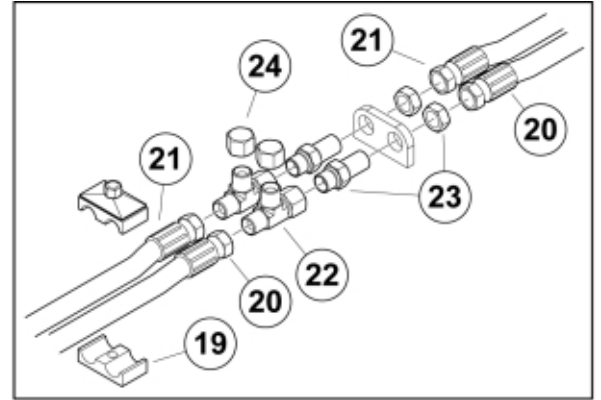




Quicke Silograb® S+



r11255721-22-23

Part assemblies Silograb S+ 150
Specification Year From: 01/09/2020 00:00:00
 Year To: 11/12/2025 00:00:00

PartNo	Pos	Qty	Name	Specifications
11255723		1	Silograb S+ 150	01/09/2020 00:00:00, 11/12/2025 00:00:00
60051753	1	1	Decal	Silograb S+
9010121	2	8	Sleeve	Conus 1
60051290	3	8	Tine	
5068109-17	4	8	Tine with nut	L=820mm (replaces 5068101)
5068111	5	1	• Nut	Conus 1
11260256-22	6	2	Side tine	
11260312-22	7	2	Side tine	
60051486-1	8	1	Cylinder	
60019853	9	2	Pin	D=30 L=141 (replaces 5220060)
60051537	10	2	Pin	
60051551	11	2	Pin	
5050817	12	4	Circlip	
5018515	13	4	Bushing	D30 L=20
5215131	14	2	Locking cover	
5004917	15	2	Screw	
5002127	16	8	Screw	M6S M14 x 35
5013107	17	8	Washer	BRB 15 x 26 x 2
5011556	18	8	Nut	M14
5016968	19	2	Hose clamp	
60051559	20	2	Hose	3/8" L=833 3/8G90LMC 3/8GRLM
60051576	21	2	Hose	3/8" L=1072 3/8G90LMC 3/8GRLM
5027454	22	2	L-coupling	
5027960	23	2	Adaptor	R3/8"
5026626	24	2	Plastic cover	
1123674	25	1	Warning decal	"Read manual"
1123673	26	1	Warning decal	
11136517	27	1	Warning decal	"Tightening of tine"
60056626	28	2	Decal	
5022119		2	Plug	