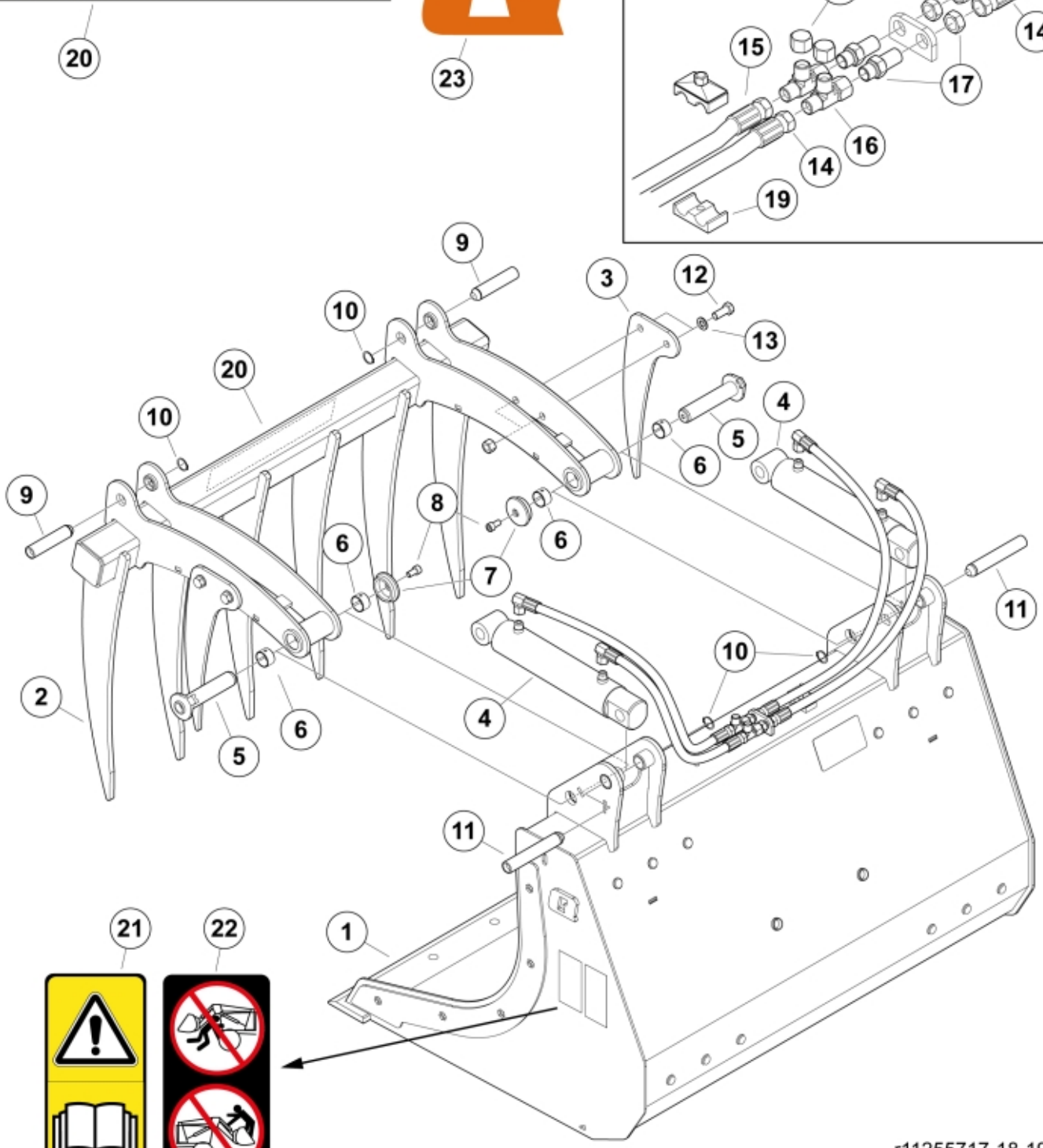
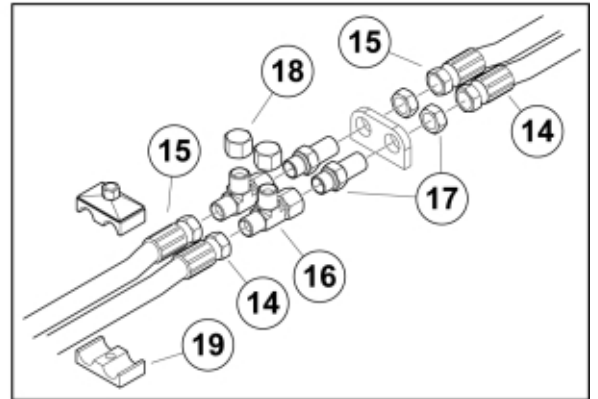


## Q Multibenne™ S+



r11255717-18-19

<b>Part assemblies</b>		Multibenne S+ 120		
<b>Specification</b>		Year From: 01/08/2020 00:00:00		
<b>PartNo</b>	<b>Pos</b>	<b>Qty</b>	<b>Name</b>	<b>Specifications</b>
11255717		1	Multibenne S+ 120	01/08/2020 00:00:00
60046555	1	1 PCS	Cutting edge	120
60051290	2	6	Tine	
11260312-22	3	2	Side tine	
60051486-1	4	1	Cylinder	
60019853	5	2	Pin	D=30 L=141 (replaces 5220060)
5018515	6	4	Bushing	D30 L=20
5215131	7	2	Locking cover	
5004917	8	2	Screw	
60051551	9	2	Pin	
5050817	10	4	Circlip	
60051537	11	2	Pin	
5002127	12	4	Screw	M6S M14 x 35
5013107	13	4	Washer	BRB 15 x 26 x 2
60051799		1 PCS	Hose kit	
60051801	14	2	• Hose	3/8" L=865 3/8G90LM 3/8GRLM
60051800	15	2	• Hose	3/8" L=640 3/8G90LM 3/8GRLM
5027454	16	2	L-coupling	
5027960	17	2	Adaptor	R3/8"
5026626	18	2	Plastic cover	
5016968	19	2	Hose clamp	
60051752	20	1 PCS	Decal	Multibenne S+
1123674	21	1	Warning decal	"Read manual"
1123673	22	1	Warning decal	
60056626	23	2	Decal	
5022119		2	Plug	