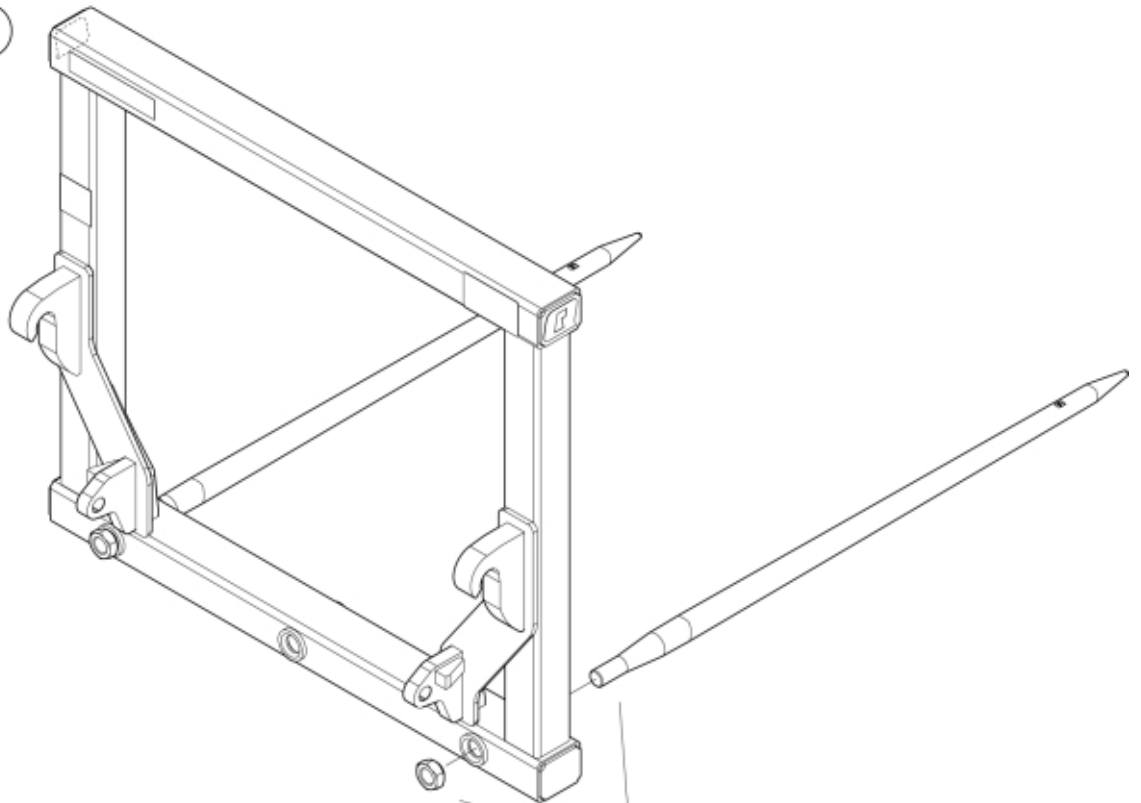




**MAX 1000 Kg**



8



650 ± 50 Nm 3

M 11255957

---

**Part assemblies** Bale fork S+ 115 Euro  
**Specification** Year From: 01/04/2021 00:00:00

---

<b>PartNo</b>	<b>Pos</b>	<b>Qty</b>	<b>Name</b>	<b>Specifications</b>
11255957		1	Bale fork S+ 115 Euro	01/04/2021 00:00:00
5068120-17	3	2	Tine with nut	L=1240mm (5068004)
11136517	7	1	Warning decal	"Tightening of tine"
11136514	8	1	Warning decal	"Max 1000 kg"
60049053	9	2	Decal	"Q" small 80x57