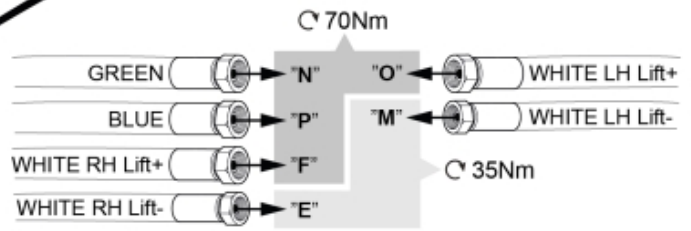
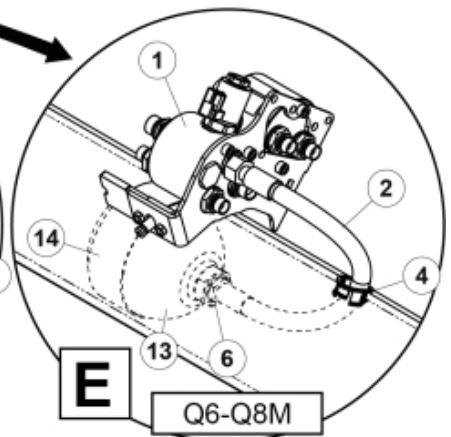
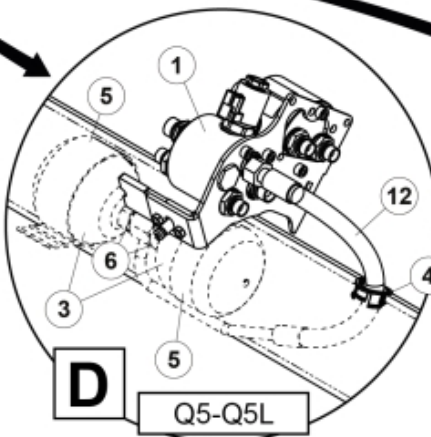
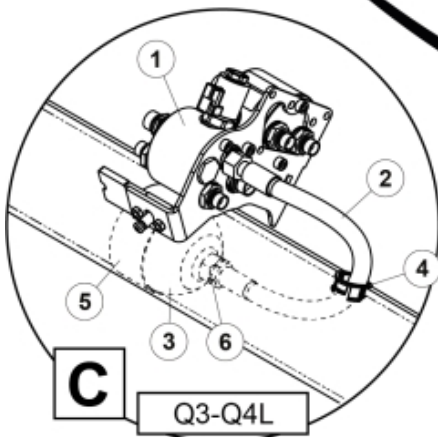
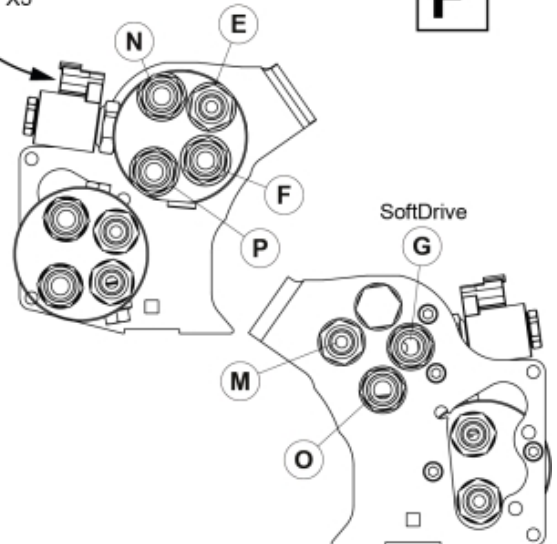
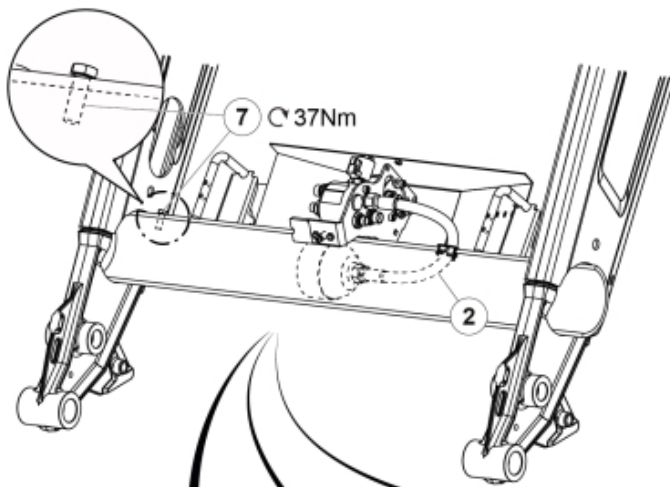


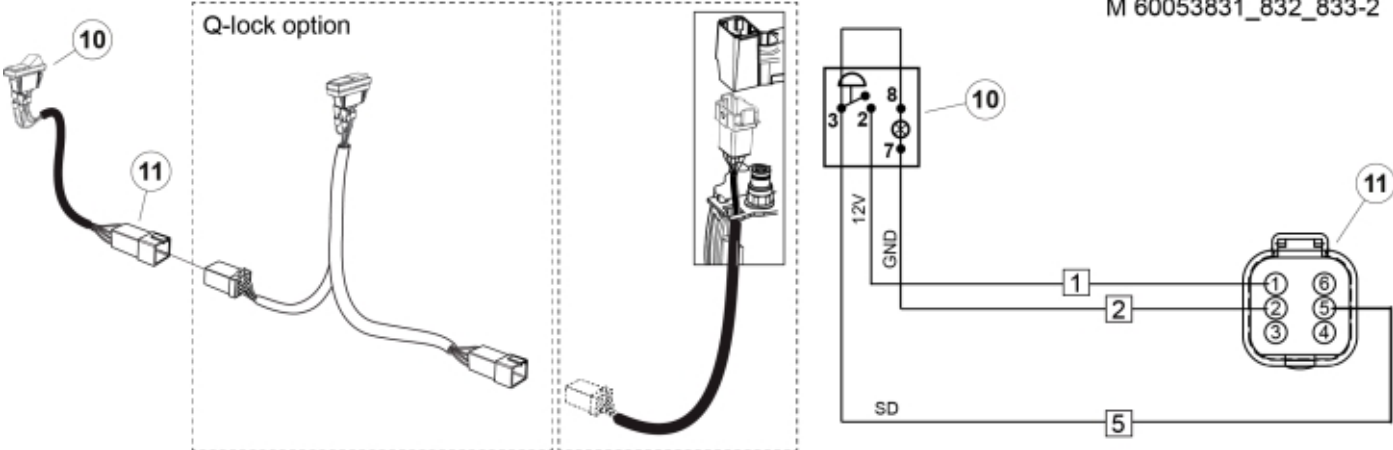
M 60053831_832_833-1



Connect to harness
Circuit connector X5

F





Part assemblies SoftDrive cpl.
Specification Specification: Q5-Q5L

PartNo	Pos	Qty	Name	Specifications
60053832		1 PCS	SoftDrive cpl.	Q5-Q5L
60050229		1	SoftDrive kit Plus	S/N 101200900546 - Replaces 60019602
4501145	1	1	• Block cpl	Lift, Replaces 4500131, 01/05/2019 00:00:00
5033773	3	2	• Accumulator	0,5L/22Bar
60008713	4	1	• Edge cover	
5215012	5	1	• Bracket	
5013853	6	2	• Dowty washer	Tredo 1/2", Part is included in kit 60007907 Hose cpl., 9032177 Hose cpl.
5002077	7	1	• Screw	M6S 10x30
5101074	10	1	Switch	
5101084	11	1	Connector, female	Deutsch 6-pol.
60041650	12	1	• Hose	