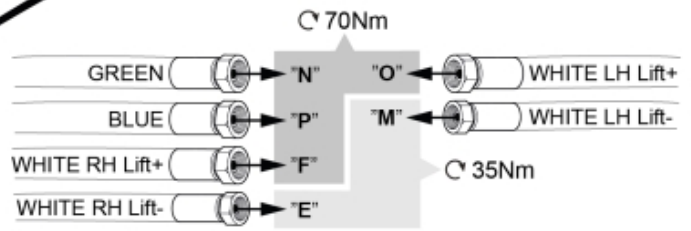
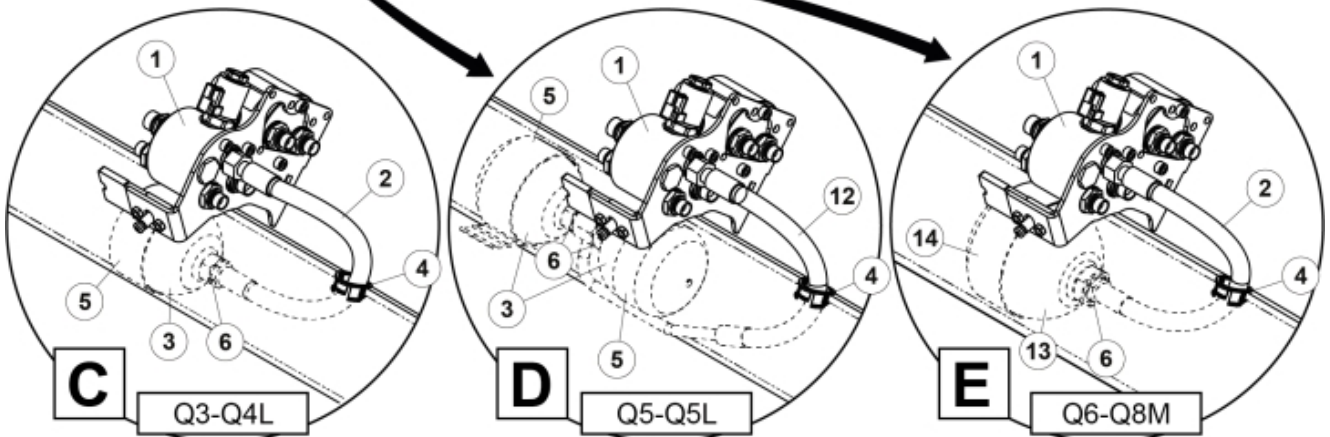
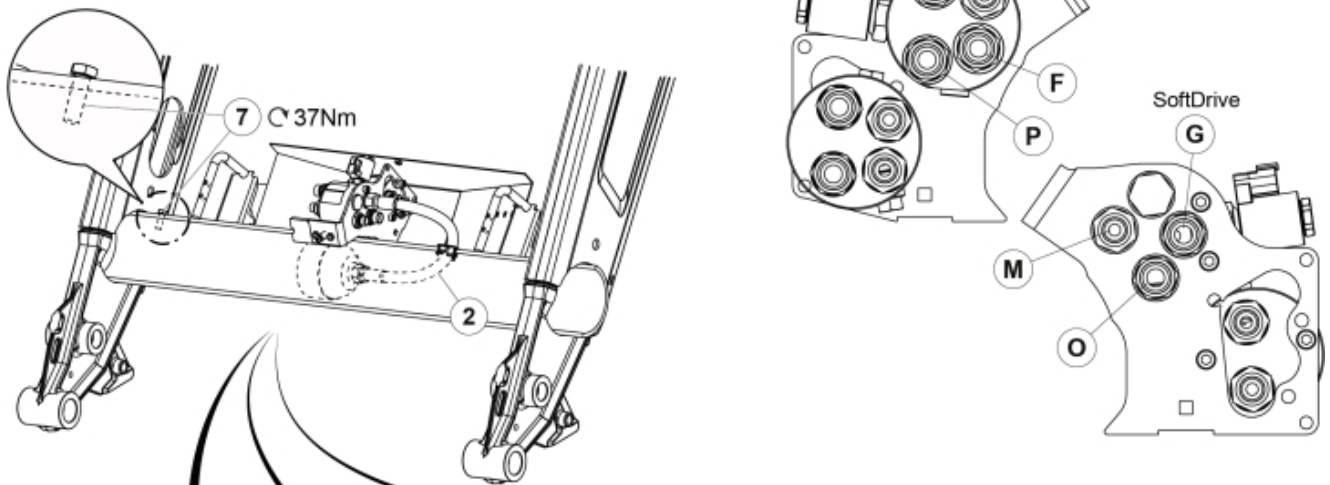


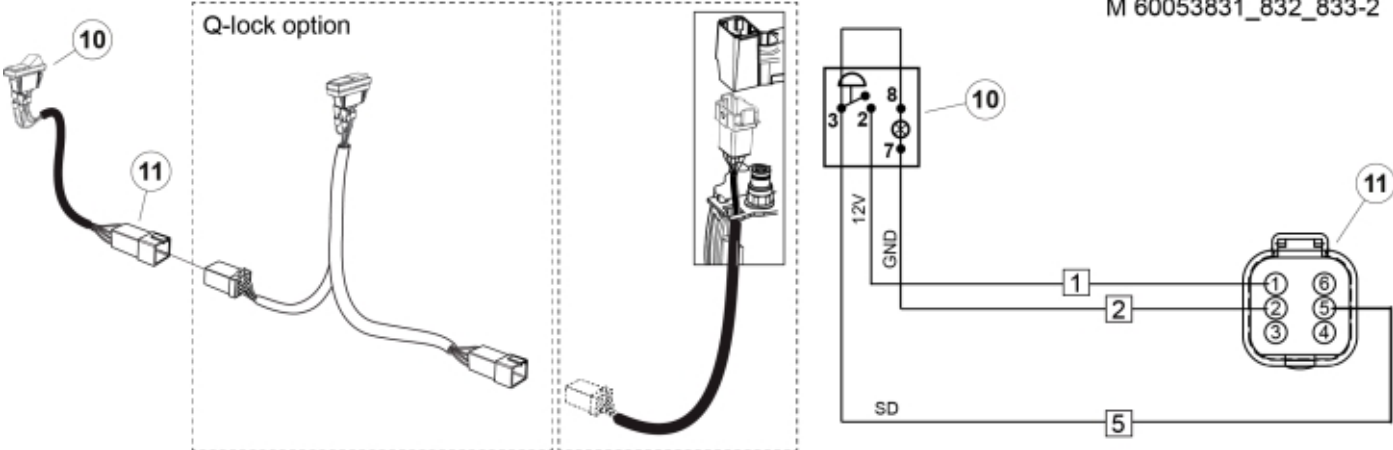
M 60053831\_832\_833-1



Connect to harness  
Circuit connector X5

**F**





**Part assemblies** SoftDrive cpl.  
**Specification** Specification: Q6-Q8M

| <b>PartNo</b> | <b>Pos</b> | <b>Qty</b> | <b>Name</b>       | <b>Specifications</b>  |
|---------------|------------|------------|-------------------|--|
| 60053833      |            | 1 PCS      | SoftDrive cpl.    | Q6-Q8M   |
| 60050230      |            | 1          | SoftDrive         | Q6-Q8M   |
| 4501145       | 1          | 1          | • Block cpl       | Lift, Replaces 4500131, 01/05/2019 00:00:00                                  |
| 60005564      | 2          | 1          | • Hose            | 1/2" L=400   |
| 60008713      | 4          | 1          | • Edge cover      |  |
| 5013853       | 6          | 1          | • Dowty washer    | Tredo 1/2", Part is included in kit 60007907<br>Hose cpl., 9032177 Hose cpl. |
| 5002077       | 7          | 1          | • Screw           | M6S 10x30  |
| 5101074       | 10         | 1          | Switch            |  |
| 5101084       | 11         | 1          | Connector, female | Deutsch 6-pol.   |
| 60065158      | 13         | 1          | • Accumulator     | 1L/22Bar   |
| 60044450      | 14         | 1          | • Bracket         |  |