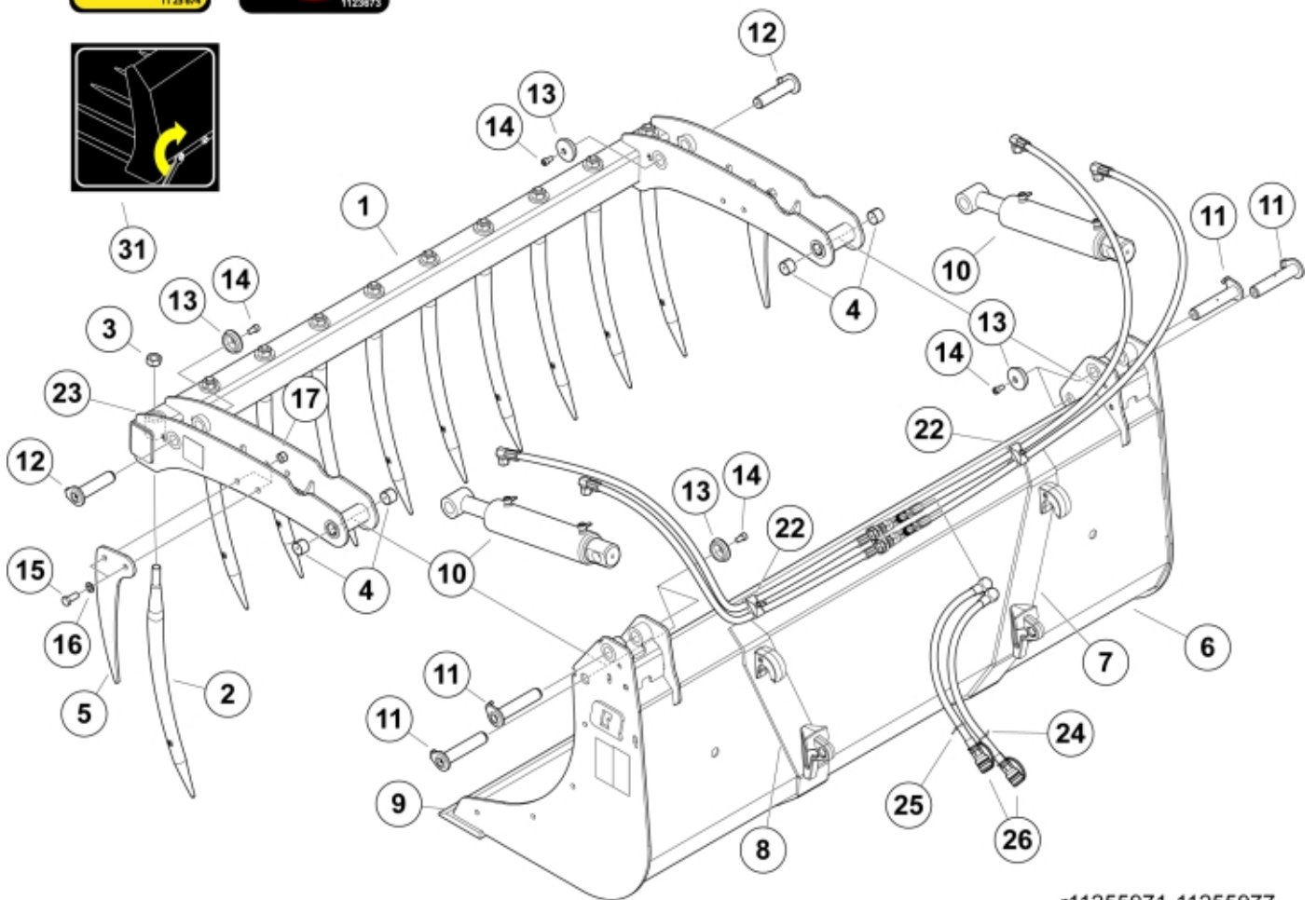
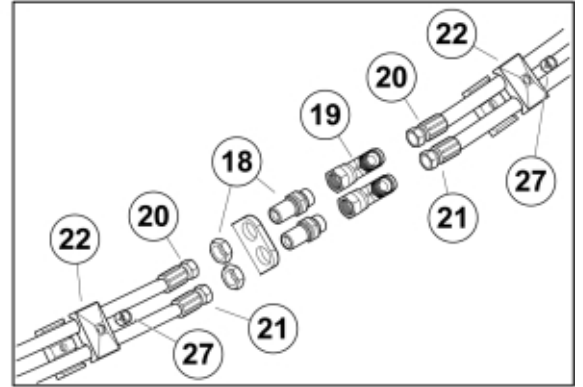


Quicke™ M+



r11255971-11255977

Part assemblies		Multibenne M+ 170 Euro		
Specification		Year From: 18/12/2020 00:00:00		
PartNo	Pos	Qty	Name	Specifications
11261854-17	1	1 PCS	Upper part, without tines	
5068112-17	2	9 PCS	• Tine with nut	L=680, Curved
5068111	3	1	•• Nut	Conus 1
5018515	4	4	• Bushing	D30 L=20
11260312-22	5	2	Side tine	
60055469-17	6	1 PCS	Bucket	Multibenne M+ 170 Euro
11260769	7	1 PCS	• Attachment Euro	RH
11260768	8	1 PCS	• Attachment Euro	LH
5022119		2	• Plug	
60044747	9	1 PCS	Cutting edge	
12706410-1	10	2	Cylinder	Glossy Black
9020047	11	4	Pin	D=30mm, L=151mm
9020048	12	2 PCS	Pin	D=30mm, L=125mm
5215131	13	6	Locking cover	
5004917	14	6	Screw	
5002127	15	4	Screw	M6S M14 x 35
5013107	16	4	Washer	BRB 15 x 26 x 2
5011556	17	4	Nut	M14
11120580	18	2	Adapter cpl.	
5028031	19	2	T-Adapter	
60057103		1 PCS	Hose kit	
60057105	20	2	• Hose	3/8" L=1250 1/2GRLM 3/8G90LMC
60057104	21	2	• Hose	3/8" L=1050 1/2GRLM 3/8G90LMC
5016968	22	2	Hose clamp	
9010120	23	9 PCS	Sleeve	Conus 1 Curved
5022177	24	1	Cable tie	Red
5022179	25	1	Cable tie	Blue
60057154		1 PCS	Hose kit	
60057156	26	2 PCS	Hose	
5011553	27	2	Nut	M6M M8 Loc-king
1123674	28	1	Warning decal	"Read manual"
1123673	29	1	Warning decal	
60054486	30	1 PCS	Decal	Multibenne M+
11136517	31	1	Warning decal	"Tightening of tine"
60056616	32	2	Decal	"Q" medium 110mm
5034439		2	Protection sleeve	