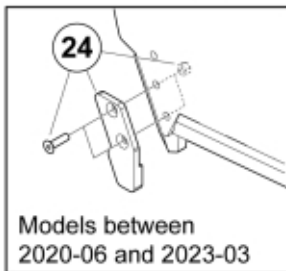
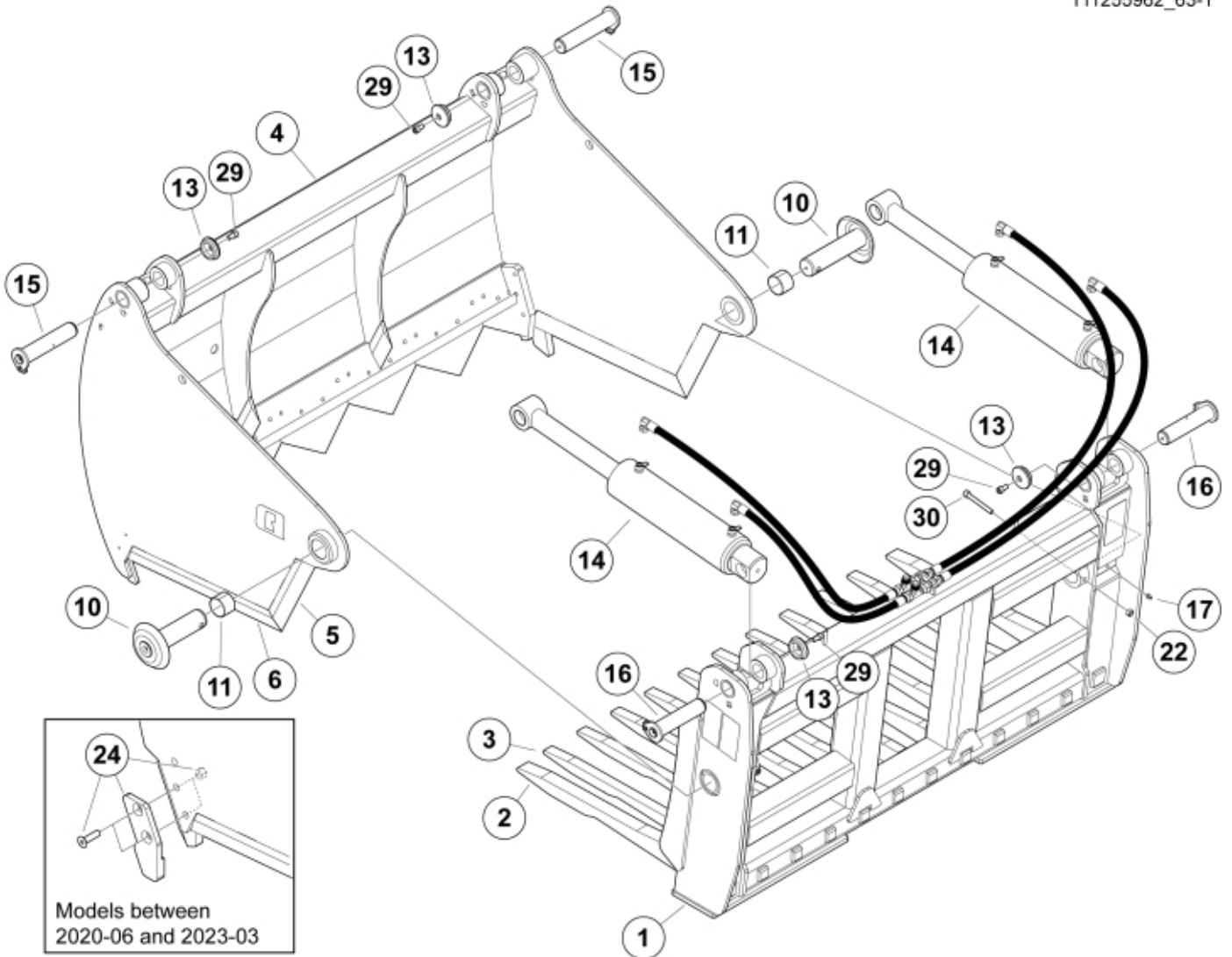


r11255962_63-1





r11255963-2

Part assemblies		Silocut 125 SG Profiled tines		
Specification		Year From: 01/01/2021 00:00:00		
PartNo	Pos	Qty	Name	Specifications
11255963		1	Silocut 125 SG Profiled tines	01/01/2021 00:00:00
60056294-17	1	1 PCS	Frame	
60054861-17	2	2	• Tine	
60054748-17	3	8	• Tine	
60015158-17	4	1 PCS	Jaw	
11261263	5	2	• Cutting edge	
60060723	6	2	• Cutting edge	
5016968	7	2	Hose clamp	
5013101	8	2	Washer	BRB 8,4 x 16
5011553	9	2	Nut	M6M M8 Loc-king
11262660	10	2	Pin	
5018909	11	2	Bushing	
5050610	12	22	Screw	MF6S 12.9 fzb M12x20
5215131	13	4	Locking cover	
12727810-1	14	2	Cylinder	Glossy Black, 05/04/2026 00:00:00
9020124	15	2	Pin cpl.	
9020126	16	2	Pin cpl.	
5023005	17	2	Greaser	M 10 x 1
5028031	18	2	T-Adapter	
11120580	19	2	Adapter cpl.	
10378383		1	Hose kit	
9032497	20	2	• Hose	3/8" L=680mm
9032498	21	2	• Hose	3/8" L=1030mm
5011554	22	2	Nut	Loc-King M10
60092323	24	1	Service kit	
		1	• Tooth	
		1	• Tooth	
		4	• Screw	
		4	• Nut	M12 Loc
11262627-22	26	1	Cutting edge LH	125mm
11262629-22	27	4	Cutting edge	250mm
11262628-22	28	1	Cutting edge RH	125mm
5004917	29	4	Screw	
5004956	30	2	Screw	MC6S M10 x 90
5022177	31	1	Cable tie	Red
5022179	32	1	Cable tie	Blue
11136516	39	2	Warning decal	
11137324	40	1	Warning decal	"Keep cutting edges sharp"
60018712	41	1	Warning decal	
1123673	42	1	Warning decal	
1123674	43	1	Warning decal	"Read manual"
11137135	44	1	Decal	Silocut
11137180	45	2	Decal	125 SG
11136459	46	1	Warning decal	Only for North Am. Warning triangle
11136447	47	1	Warning decal	Only for North Am. DANGER