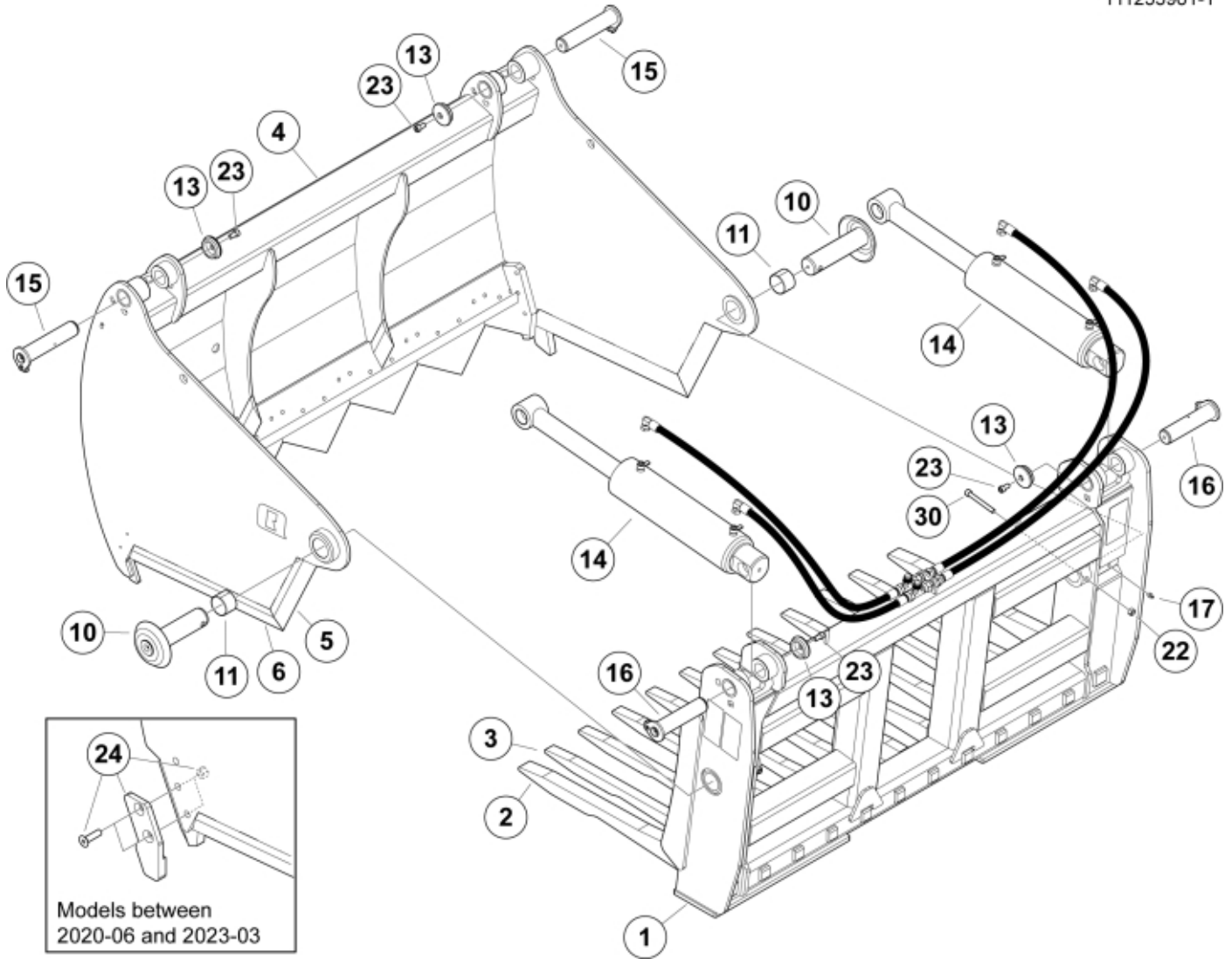
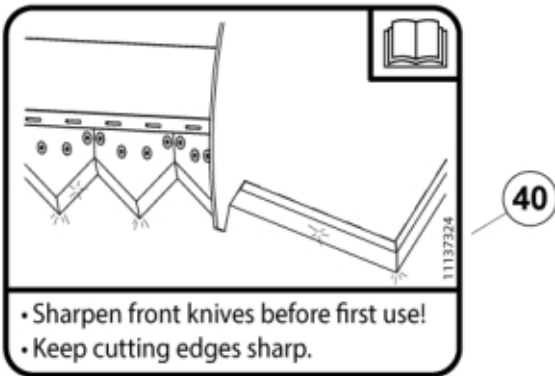


r11255961-1



Models between  
2020-06 and 2023-03



r11254224\_4226\_4228\_4229\_4231\_4234\_4237\_5844\_5960\_5961\_5962-2

Part assemblies		Silocut M+ 175 Profiled tines		
Specification		Year From: 01/01/2021 00:00:00		
PartNo	Pos	Qty	Name	Specifications
11255961		1	Silocut M+ 175 Profiled tines	01/01/2021 00:00:00
60056275-17	1	1 PCS	Frame	
60054861-17	2	2	• Tine	
60054748-17	3	12	• Tine	
60071107-17	4	1 PCS	Jaw	
11261263	5	2	• Cutting edge	
60060723	6	2	• Cutting edge	
5016968	7	2	Hose clamp	
5013101	8	2	Washer	BRB 8,4 x 16
5011553	9	2	Nut	M6M M8 Loc-king
11262660	10	2	Pin	
5018909	11	2	Bushing	
5050610	12	30	Screw	MF6S 12.9 fzb M12x20
5215131	13	4	Locking cover	
9020124	15	2	Pin cpl.	
60014195-1	14	2	Cylinder	Glossy Black, 05/02/2026 00:00:00
9020126	16	2	Pin cpl.	
5023005	17	2	Greaser	M 10 x 1
5028031	18	2	T-Adapter	
11120580	19	2	Adapter cpl.	
10378387		1	Hose kit	
9032501	20	2	• Hose	3/8" L=930mm
9032502	21	2	• Hose	3/8" L=1280mm
5011554	22	2	Nut	Loc-King M10
5004917	23	4	Screw	
60092323	24	1	Service kit	
		1	• Tooth	
		1	• Tooth	
		4	• Screw	
		4	• Nut	M12 Loc
11262627-22	26	1	Cutting edge LH	125mm
11262629-22	27	4	Cutting edge	250mm
11262628-22	28	1	Cutting edge RH	125mm
60014466-22	29	1	Cutting edge	L=500mm
5004956	30	2	Screw	MC6S M10 x 90
5022177	31	1	Cable tie	Red
5022179	32	1	Cable tie	Blue
11136516	39	2	Warning decal	
11137324	40	1	Warning decal	"Keep cutting edges sharp"
60071733	41	1	Decal	"Max 210 bar"
1123673	42	1	Warning decal	
1123674	43	1	Warning decal	"Read manual"
60062206	44	1	Decal	"Silocut M+"
60056616	45	1	Decal	"Q" medium 110mm
11136459	46	1	Warning decal	Only for North Am. Warning triangle
11136447	47	1	Warning decal	Only for North Am. DANGER