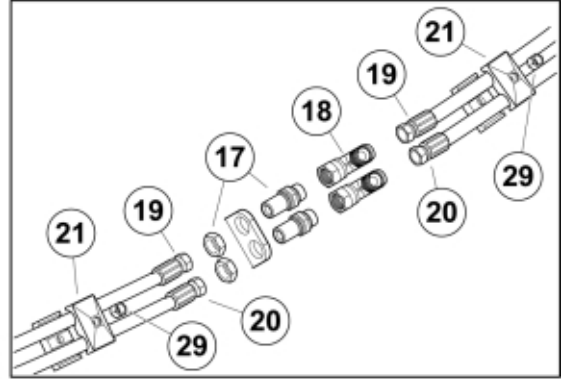


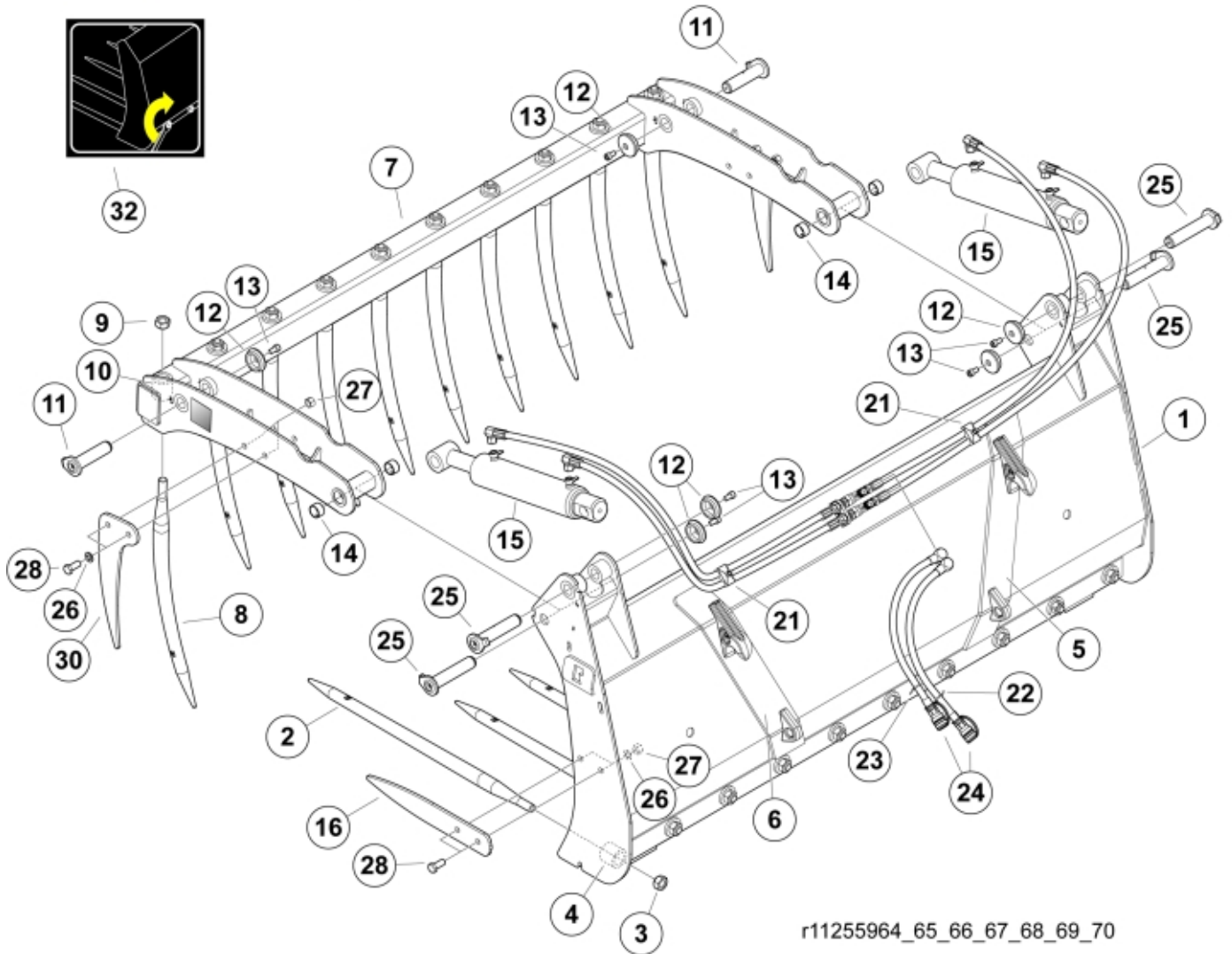
Q Silograb® M+



35



32



r11255964_65_66_67_68_69_70

Part assemblies		Silograb M+ 190 Euro		
Specification		Year From: 18/12/2020 00:00:00		
PartNo	Pos	Qty	Name	Specifications
60055555-17	1	1	Frame, without tines	
5068109-17	2	10	Tine with nut	L=820mm (replaces 5068101)
5068111	3	1	• Nut	Conus 1
9010121	4	10	Sleeve	Conus 1
11261794-17	7	1 PCS	Upper part, without tines	
5068112-17	8	10 PCS	Tine with nut	L=680, Curved
5068111	9	1	• Nut	Conus 1
9010120	10	10 PCS	Sleeve	Conus 1 Curved
9020048	11	2 PCS	Pin	D=30mm, L=125mm
5215131	12	6	Locking cover	
5004917	13	6	Screw	
5018515	14	4	Bushing	D30 L=20
12706410-1	15	2	Cylinder	Glossy Black
11260256-22	16	2	Side tine	
11120580	17	2	Adapter cpl.	
5028031	18	2	T-Adapter	
60057117		1 PCS	Hose kit	
60057120	19	2	• Hose	3/8" L=1350 1/2GRMLM 3/8G90LMC
60057119	20	2	• Hose	3/8" L=1150 1/2GRMLM 3/8G90LMC
5016968	21	2	Hose clamp	
5022177	22	1	Cable tie	Red
5022179	23	1	Cable tie	Blue
60057156	24	2 PCS	Hose	
9020047	25	2	Pin	D=30mm, L=151mm
5013107	26	8	Washer	BRB 15 x 26 x 2
5011556	27	8	Nut	M14
5002127	28	8	Screw	M6S M14 x 35
5011553	29	2	Nut	M6M M8 Loc-king
11260312-22	30	2	Side tine	
11136517	32	1	Warning decal	"Tightening of tine"
1123674	33	1	Warning decal	"Read manual"
1123673	34	1	Warning decal	
60054809	35	1 PCS	Decal	Silograb M+
5022119		2	Plug	