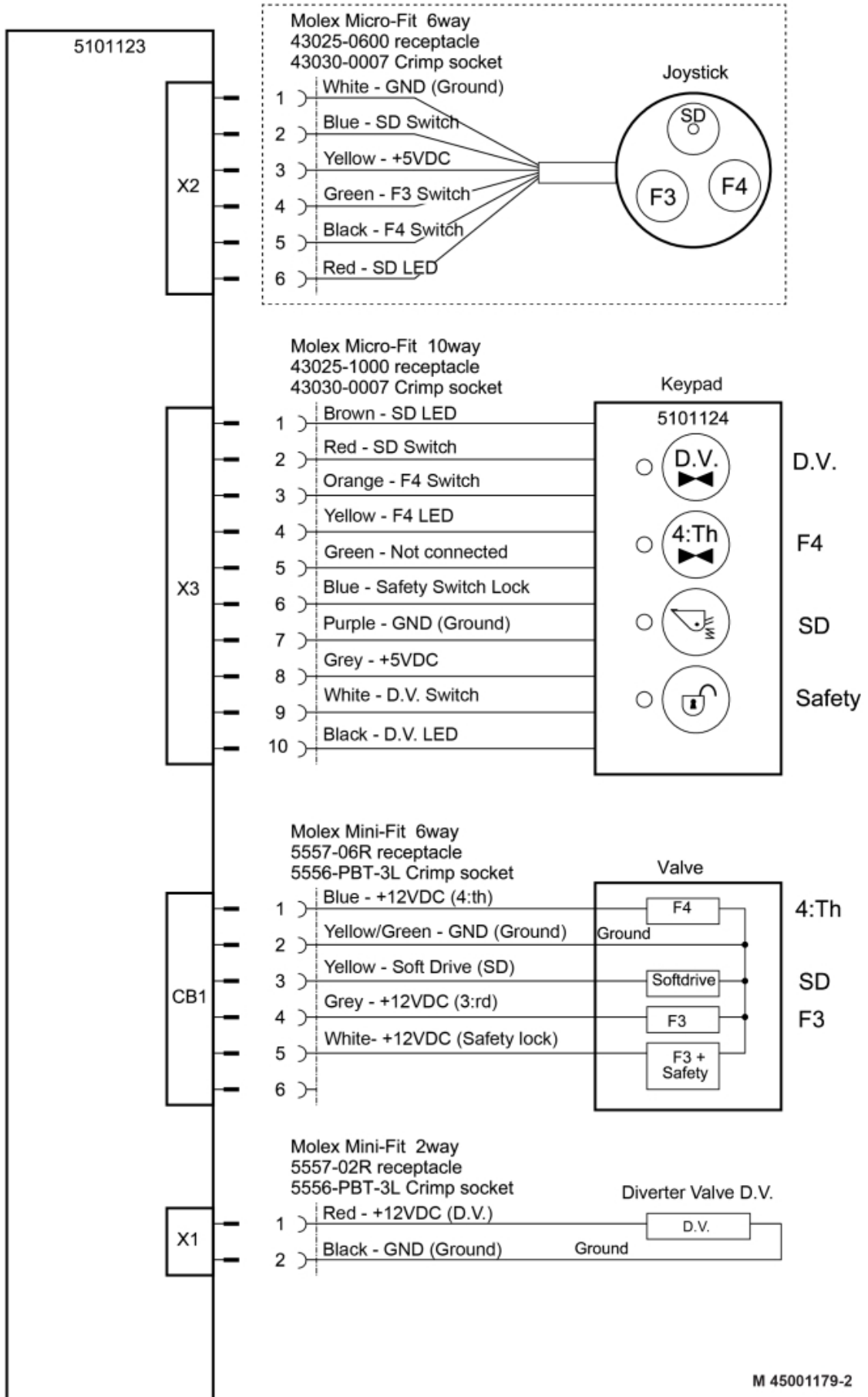
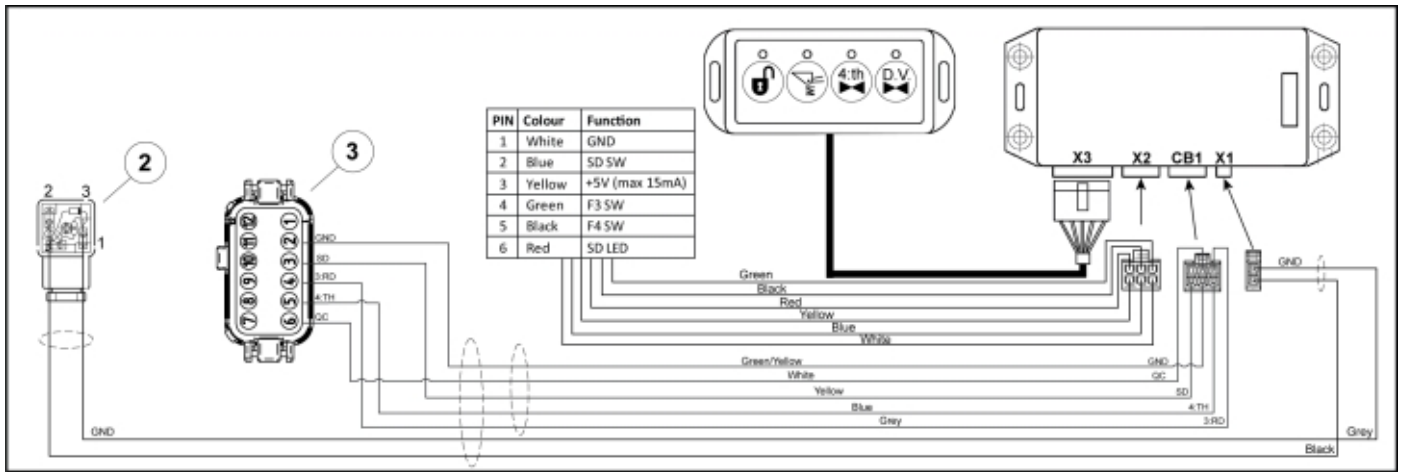


Diagram when joystick is included in the set



M 45001179-2



Tractor with OEM joystick with 3:rd and 4:th service push buttons: 4:th service switch on switch console must be set in ON position	X2 HARNESS	1 White	Not used	
		2 Blue	Not used	
		3 Yellow	Not used	
		4 Green	In use	5-12V from 3:rd service push button
		5 Black	In use	5-12V from 4:th service push button
		6 Red	Not used	

Independent joystick knob with 3:rd and 4:th service push buttons, loader suspension switch and pilot light: 4:th service switch on switch console must be set in ON position	X2 HARNESS	1 White	In use	GND pilot light
		2 Blue	In use	Loader suspension trigger push button
		3 Yellow	In use	5V to joystick knob
		4 Green	In use	3:rd service push button
		5 Black	In use	4:rd service push button
		6 Red	In use	Pilot light

M 4501179-3

Part assemblies Electric connection kit

PartNo	Pos	Qty	Name	Specifications
4501179		1	Electric connection kit	
5102209	1	1	Harness	L=1100
5102210	2	1	Harness	L=3700 12/2 Diverter harness
5051858	3	1	Harness	
59040800	4	1	Relay box	
59040810	5	1	Button console	