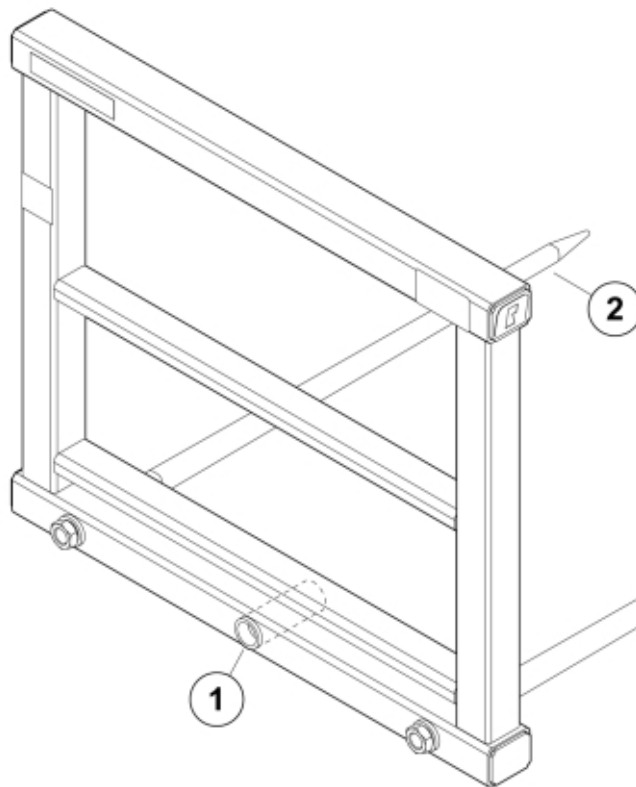




**MAX 1000 Kg**



4



2

1

2a

2b

r11256003

---

**Part assemblies** Bale fork S+ 115  
**Specification** Year From: 01/04/2021 00:00:00

---

<b>PartNo</b>	<b>Pos</b>	<b>Qty</b>	<b>Name</b>	<b>Specifications</b>
11256003		1	Bale fork S+ 115	01/04/2021 00:00:00
1209699	1	3	Sleeve	
5068114-17	2a	3	Tine with nut	0-3 pcs, L=827mm (replaces 5068003)
5068120-17	2b	3	Tine with nut	0-3 pcs, L=1240mm (5068004)
11136517	3	1	Warning decal	"Tightening of tine"
11136514	4	1	Warning decal	"Max 1000 kg"
60049053	5	2	Decal	"Q" small 80x57