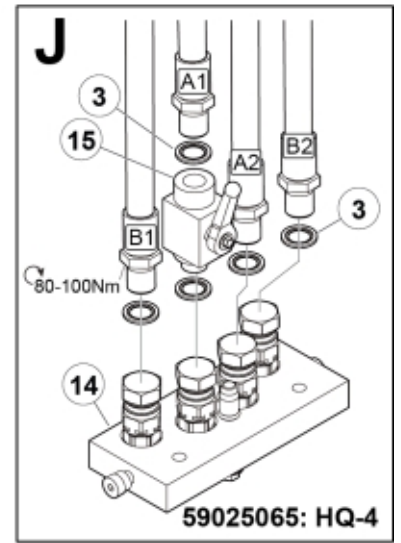
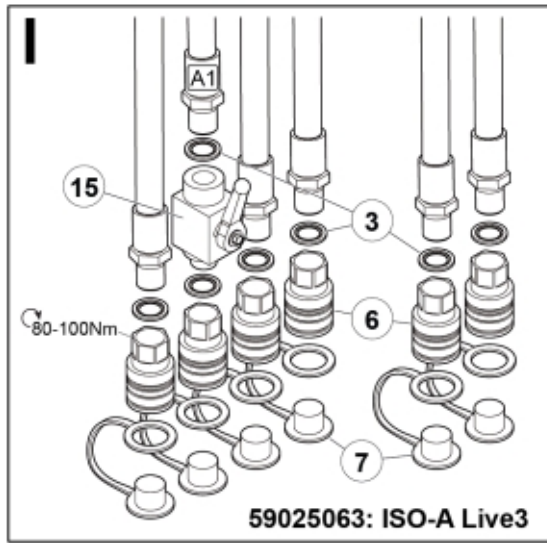
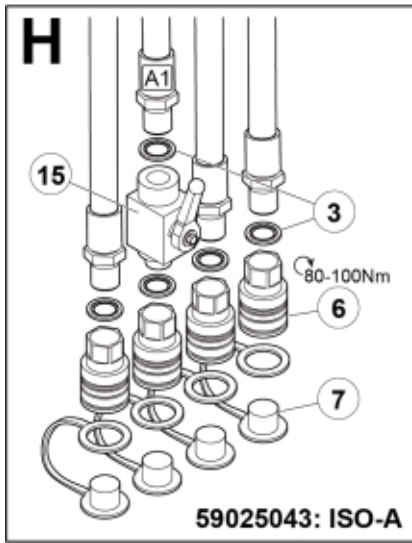





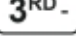


M 59025040-41-43-44-60-61-62-63-64-65\_1

M 59025040-41-43-44-60-61-62-63-64-65\_2



|   | QCS | LCS   | Old/OEM | Color  |
|---|-----|-------|---------|--------|
| Lower  | B1  | B1    | 1       | Green  |
| Lift   | A1  | A1    | 2       | Blue   |
| Crowd  | B2  | B2    | 4       | Red    |
| Dump   | A2  | A2    | 3       | Yellow |
| 3rd+   | B3  | A1 L3 | -       | Red    |
| 3rd-   | A3  | B2 L3 | -       | Blue   |

**Description** QCS to ISO-A  
**Part assemblies** Interface kit

| <b>PartNo</b> | <b>Pos</b> | <b>Qty</b> | <b>Name</b>    | <b>Specifications</b>  |
|---------------|------------|------------|----------------|--|
| 59025043      |            | 1          | Interface kit  |  |
| 60049421      | 1          | 1          | Holder kit     |  |
| 5004061       | 2          | 2          | • Screw        | MC6S M8x20   |
| 5013853       | 3          | 5          | Dowty washer   | Tredo 1/2", Part is included in kit 60007907<br>Hose cpl., 9032177 Hose cpl. |
| 5044127       | 6          | 4          | Quick Coupling | 1/2", Part is included in kit 60007907 Hose<br>cpl., 9032177 Hose cpl.       |
| 5044130       | 7          | 4          | Dust Cover     | Part is included in kit 60007907 Hose cpl.,<br>9032177 Hose cpl.             |
| 5033898       | 15         | 1          | Shut-off valve | 1/2"   |