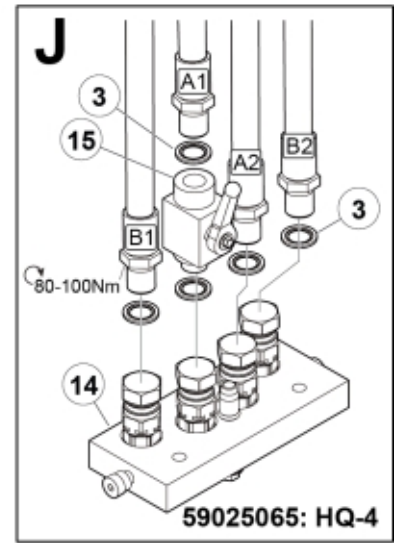
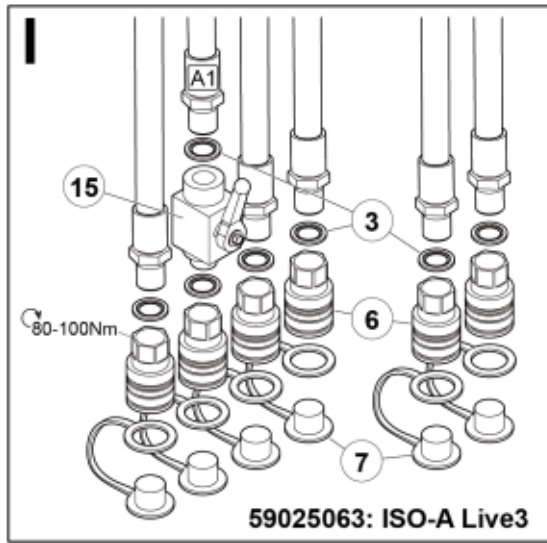
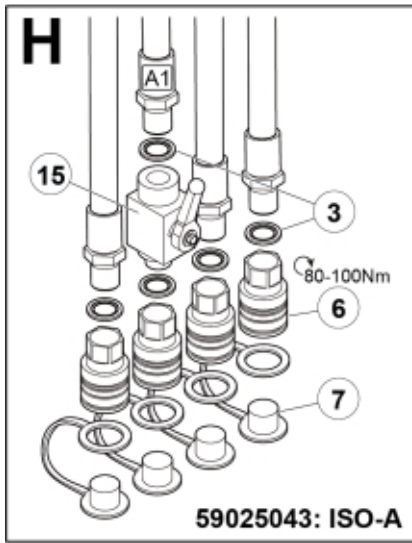


M 59025040-41-43-44-60-61-62-63-64-65\_1

M 59025040-41-43-44-60-61-62-63-64-65\_2



	QCS	LCS	Old/OEM	Color
Lower	B1	B1	1	Green
Lift	A1	A1	2	Blue
Crowd	B2	B2	4	Red
Dump	A2	A2	3	Yellow
3rd+	B3	A1 L3	-	Red
3rd-	A3	B2 L3	-	Blue

---

**Description** LCS to QCS  
**Part assemblies** Interface kit

---

<b>PartNo</b>	<b>Pos</b>	<b>Qty</b>	<b>Name</b>	<b>Specifications</b>
59025061		1	Interface kit	
60049421	1	1	Holder kit	
5004061	2	2	• Screw	MC6S M8x20
5013853	3	6	Dowty washer	Tredo 1/2", Part is included in kit 60007907 Hose cpl., 9032177 Hose cpl.
59021020	10	1	Connector handle	
59020690	13	1 PCS	QC6c Mobile	1/2"