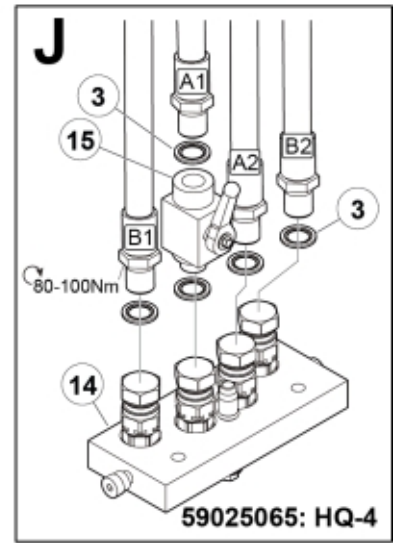
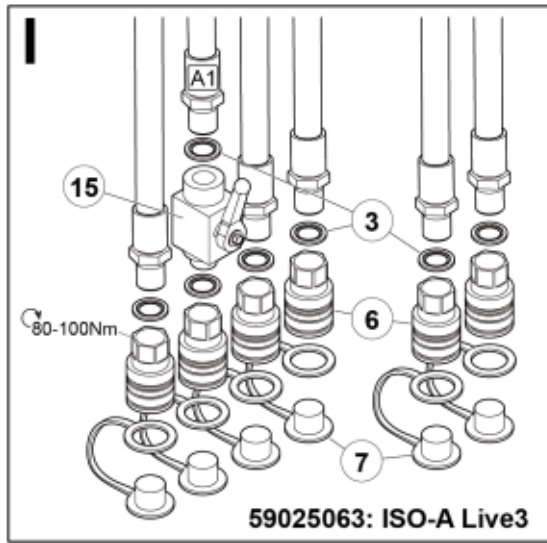
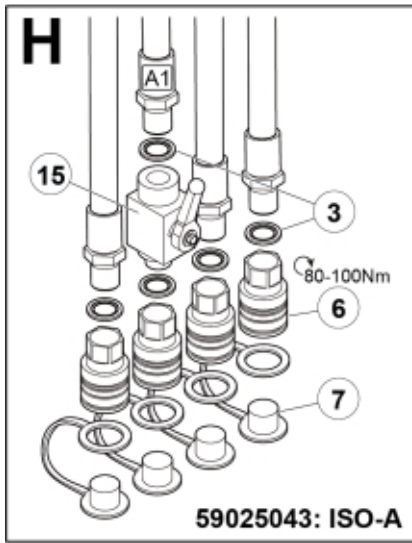





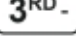


M 59025040-41-43-44-60-61-62-63-64-65_1

M 59025040-41-43-44-60-61-62-63-64-65_2



	QCS	LCS	Old/OEM	Color
Lower 	B1	B1	1	Green
Lift 	A1	A1	2	Blue
Crowd 	B2	B2	4	Red
Dump 	A2	A2	3	Yellow
3rd+ 	B3	A1 L3	-	Red
3rd- 	A3	B2 L3	-	Blue

Description QCS to HQ-4
Part assemblies Interface kit

PartNo	Pos	Qty	Name	Specifications
59025065		1	Interface kit	
60049421	1	1	Holder kit	
5004061	2	2	• Screw	MC6S M8x20
5013853	3	1	Dowty washer	Tredo 1/2", Part is included in kit 60007907 Hose cpl., 9032177 Hose cpl.
5045403	14	1	Multi coupling, upper part	Upper part
5033898	15	1	Shut-off valve	1/2"