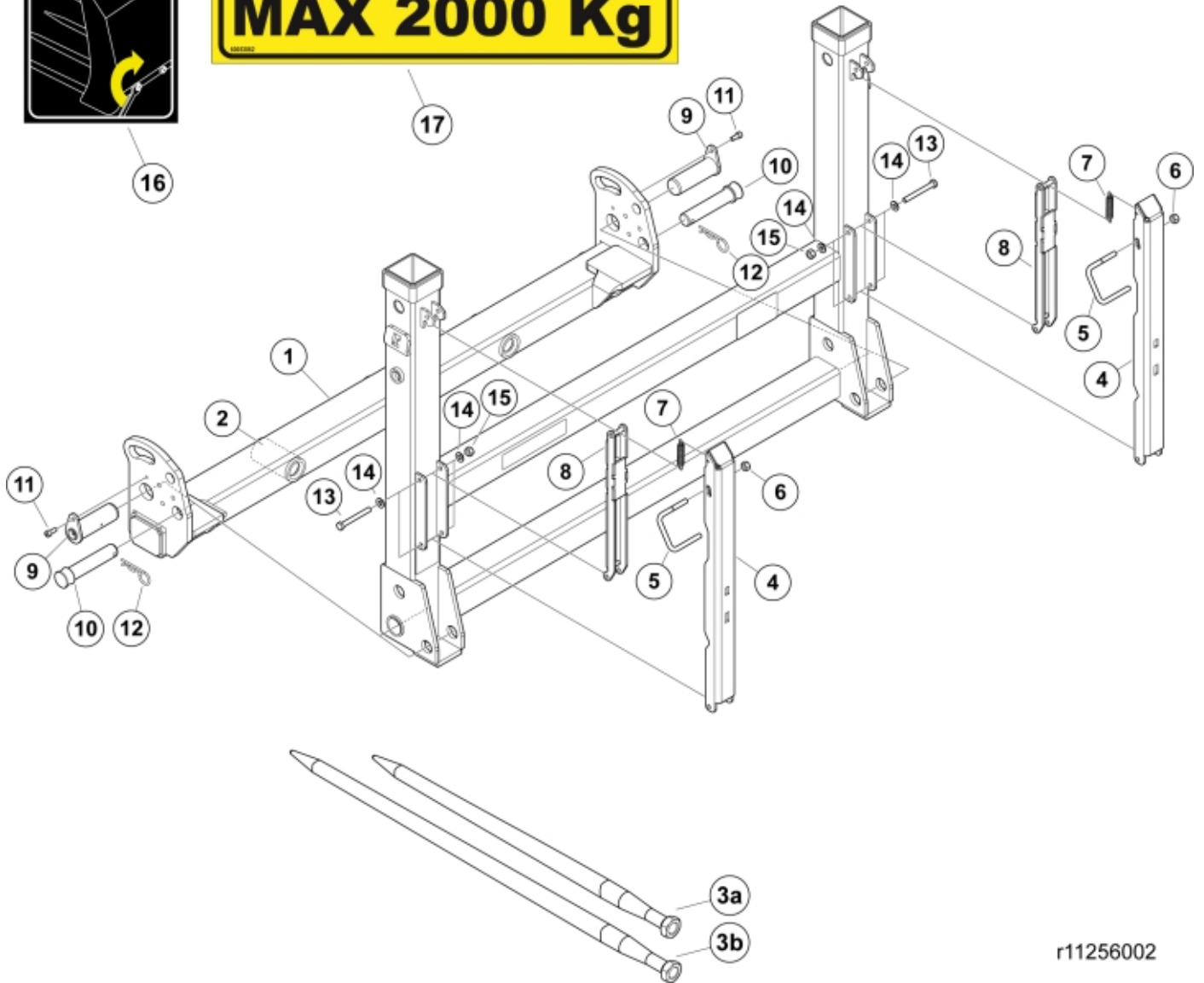




MAX 2000 Kg



r11256002

Part assemblies Bale fork L+ 150 - Folding tine
Specification Year From: 01/04/2021 00:00:00
Year To: 31/01/2023 00:00:00

| PartNo | Pos | Qty | Name | Specifications |
|-------------|-----|-------|---------------------------------|-------------------------------------|
| 11256002 | | 1 | Bale fork L+ 150 - Folding tine | |
| 60057463-17 | 1 | 1 PCS | Beam | |
| 1209699 | 2 | 5 | Sleeve | |
| 5068114-17 | 3a | 5 | Tine with nut | 0-5 pcs, L=827mm (replaces 5068003) |
| 5068120-17 | 3b | 5 | Tine with nut | 0-5 pcs, L=1240mm (5068004) |
| 60060592-17 | 4 | 2 PCS | Support leg | |
| 60060297 | 5 | 2 PCS | U-bolt | |
| 5011554 | 6 | 2 | Nut | Loc-King M10 |
| 60064967 | 7 | 2 PCS | Spring | |
| 60060593-17 | 8 | 2 PCS | Bracket | |
| 60058137 | 9 | 2 PCS | Pivot Pin | |
| 60058119 | 10 | 2 PCS | Pin | |
| 5051820 | 11 | 2 PCS | Screw | MLC6S M8x20 8.8 |
| 5050091 | 12 | 2 PCS | Pin clip | |
| 5002991 | 13 | 4 | Screw | M6S_M10x90 (8.8) |
| 5013110 | 14 | 8 | Washer | BRB 10.5x22x2 |
| 5011554 | 15 | 4 | Nut | Loc-King M10 |
| 11136517 | 16 | 1 | Warning decal | "Tightening of tine" |
| 60053862 | 17 | 1 | Warning decal | "Max 2000 kg" |
| 60056626 | 18 | 2 | Decal | |