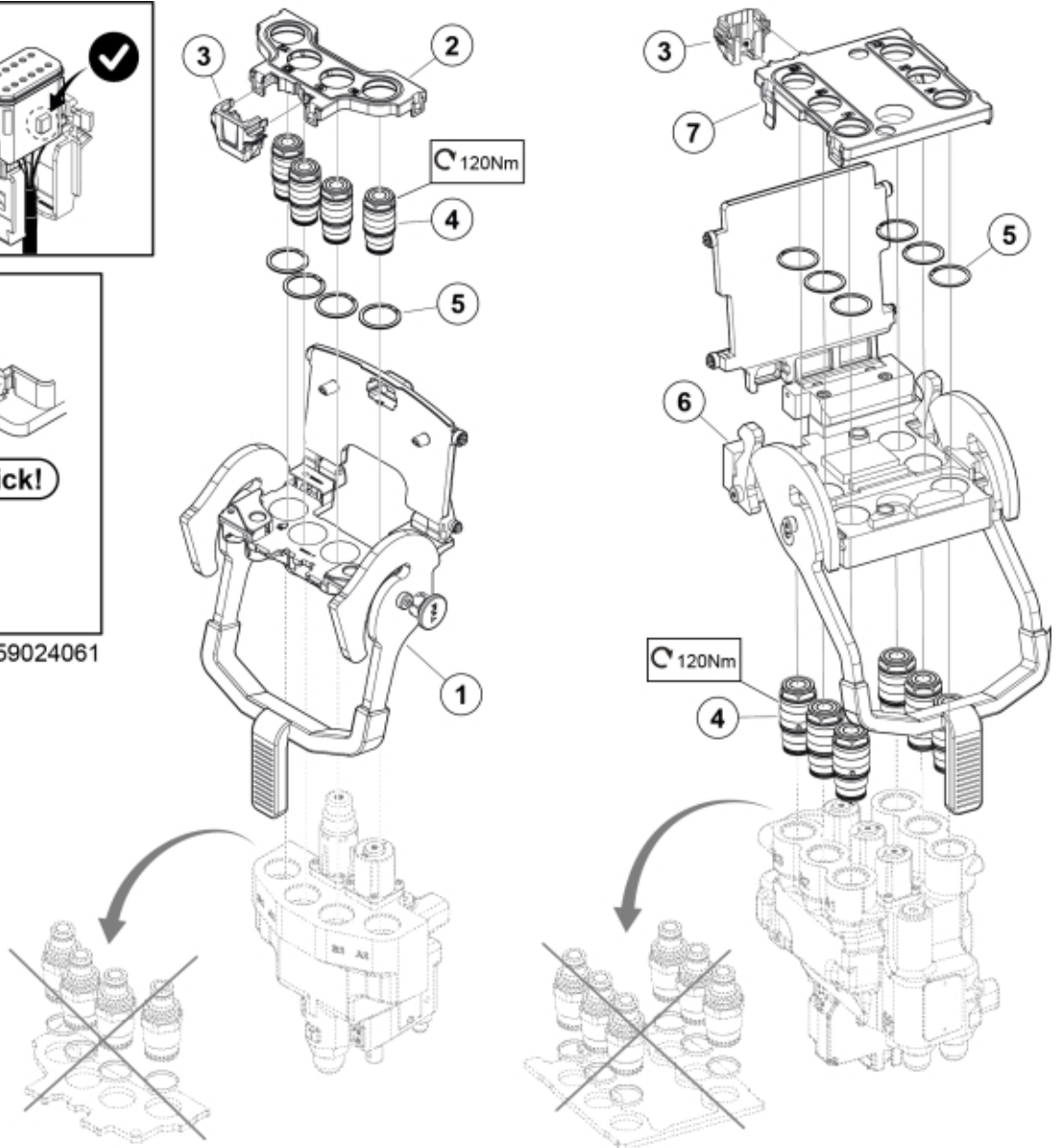


M 59024041_59024061



Description QC6
Part assemblies Conversion kit QCS

PartNo	Pos	Qty	Name	Specifications
59024061		1	Conversion kit QCS	
59021025	3	1	Connector Support	
59021041	4	6	Coupling	
59021051	5	6	Circlip	
59021007	6	1	Multi coupling base, QC6	
59021027	7	1 PCS	Cover	