

M 11255998B

M 11255998C

11255998A
11255998Q

1

2

3

Tightening torque:
80Nm

4

Tightening torque:
150Nm +/- 10Nm

11255998B

1

2

3

Tightening torque:
100Nm

4

Tightening torque:
200Nm +/- 20Nm

11255998C

1

2

3

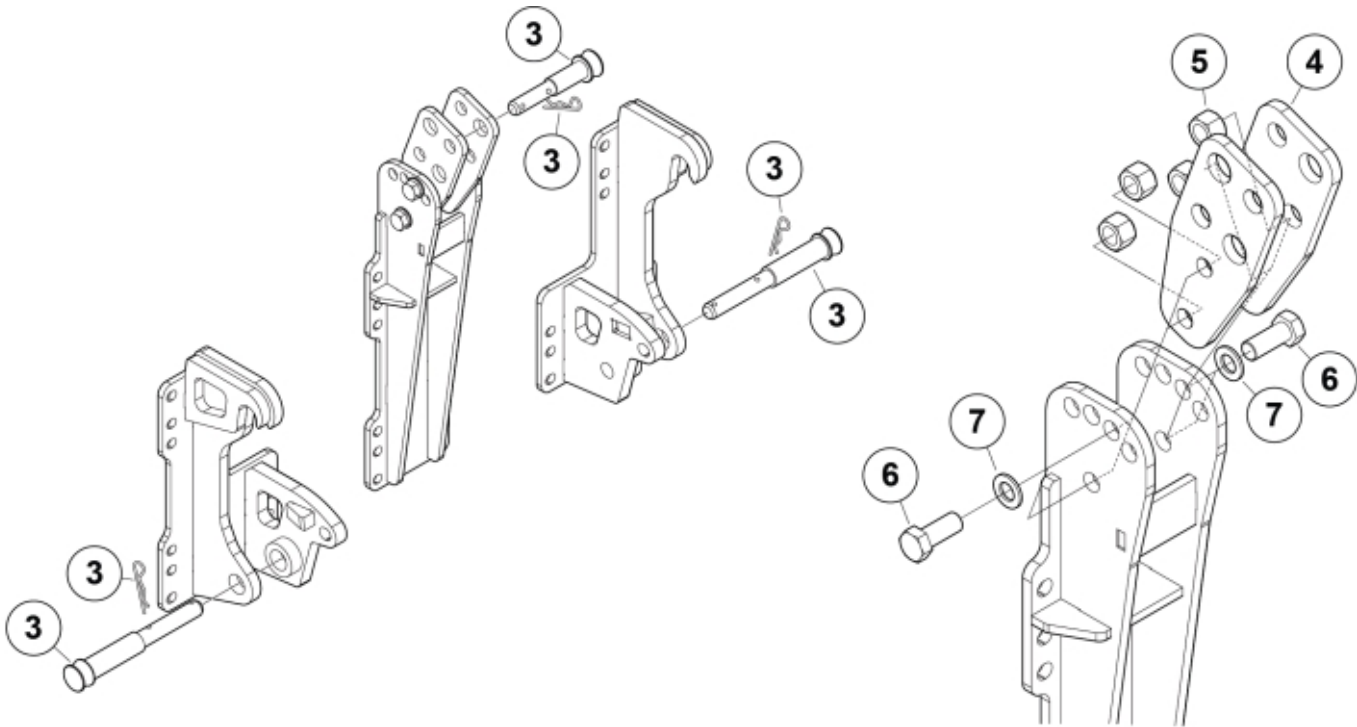
Tightening torque:
100Nm

4

Tightening torque:
200Nm +/- 20Nm

4

Tightening torque:
150Nm +/- 10Nm



11255998-4

Part assemblies Attachment kit Euro / 3PL

PartNo	Pos	Qty	Name	Specifications
60122349	1	1	Attachment Euro / 3PL	
60004374	2A	2 PCS	Bolt kit	
60020469		8	• U-bolt	80x80 M16 (60003288)
5013105		16	• Washer	BRB 17 x 30 x 3 300HV
5011557		16	• Nut	Loc-King M16
60004375	2Q	2 PCS	Bolt kit	
60020468		8 PCS	• U-bolt	80x40 M16 (60003289)
5013105		16	• Washer	BRB 17 x 30 x 3 300HV
5011557		16	• Nut	Loc-King M16
60025035	2B	2 PCS	Bolt kit	
60050544		8 PCS	• Plate	
5050888		16	• Screw	M6S M16x90 10.9
5013105		16	• Washer	BRB 17 x 30 x 3 300HV
60021354	2C	2 PCS	Bolt kit	
60050544		8 PCS	• Plate	
5050810		16	• Screw	M6S M16x120
5013105		16	• Washer	BRB 17 x 30 x 3 300HV
60094945	3	1	Pin kit	
60034666	4	2	Plate	
5011559	5	4	Nut	Loc-king M20x2,5 (10), Part is included in kit 11255098 Attachment kit Dieci Large, 11255234 Attachment kit Dieci Medium, 11255238 Attachment kit Dieci Small, 11255241 Attachment kit JLG Deutz, 11255233 Attachment kit Schäffer type SWH, 11255326 Attachment kit Weidemann, 11255184 Attachment kit CAT TH, 11255096 Attachment kit Merlo
5002206	6	4	Screw	M6S M20 x 50 (8.8)
5013127	7	4	Washer	BRB 21 x 36 x 3, Part is included in kit 11255096 Attachment kit Merlo