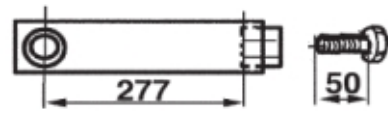
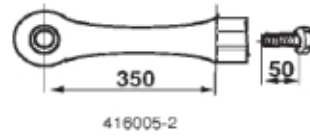


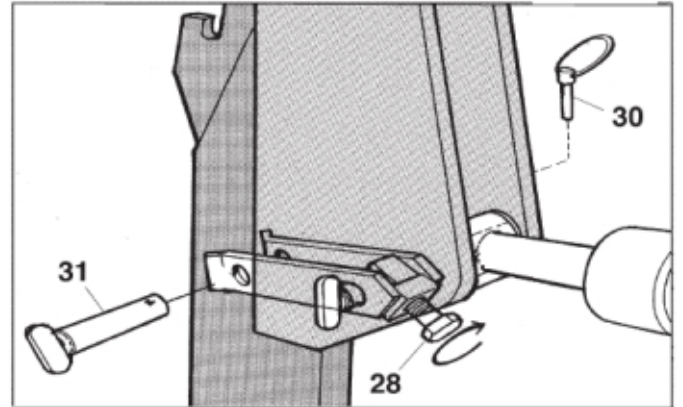
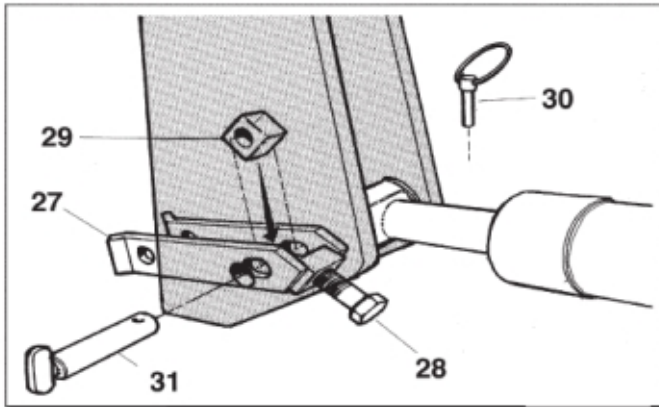
Type A



Type D



Type C



Description US
Part assemblies Bearing box

PartNo	Pos	Qty	Name	Specifications
271093-1	1	1	Bearing box LH	Glossy Black Type A (Standard)
271094-1	2	1 PCS	Bearing box RH	Glossy Black Type A (Standard)
258141	3	1 PCS	Retaining fork LH	L=277 mm Type A
258142	4	1 PCS	Retaining fork RH	L=277 mm Type A
5002253	5	1 PCS	• Screw	M6S M24x50 (8.8)
252107	3	1 PCS	Retaining fork LH	L=350mm Type D
252108	4	1 PCS	Retaining fork RH	L=350mm Type D
5002253	5	1 PCS	• Screw	M6S M24x50 (8.8)
1116525	6	2 PCS	Pin	
5047001	7	1 PCS	U-wrench	
330211	27	2 PCS	Retaining fork	Type C
5002253	28	1 PCS	• Screw	M6S M24x50 (8.8)
330214	29	2 PCS	Spacer tube	
1102001	30	4	Linch pin	
1116610	31	4	Locking Pin	