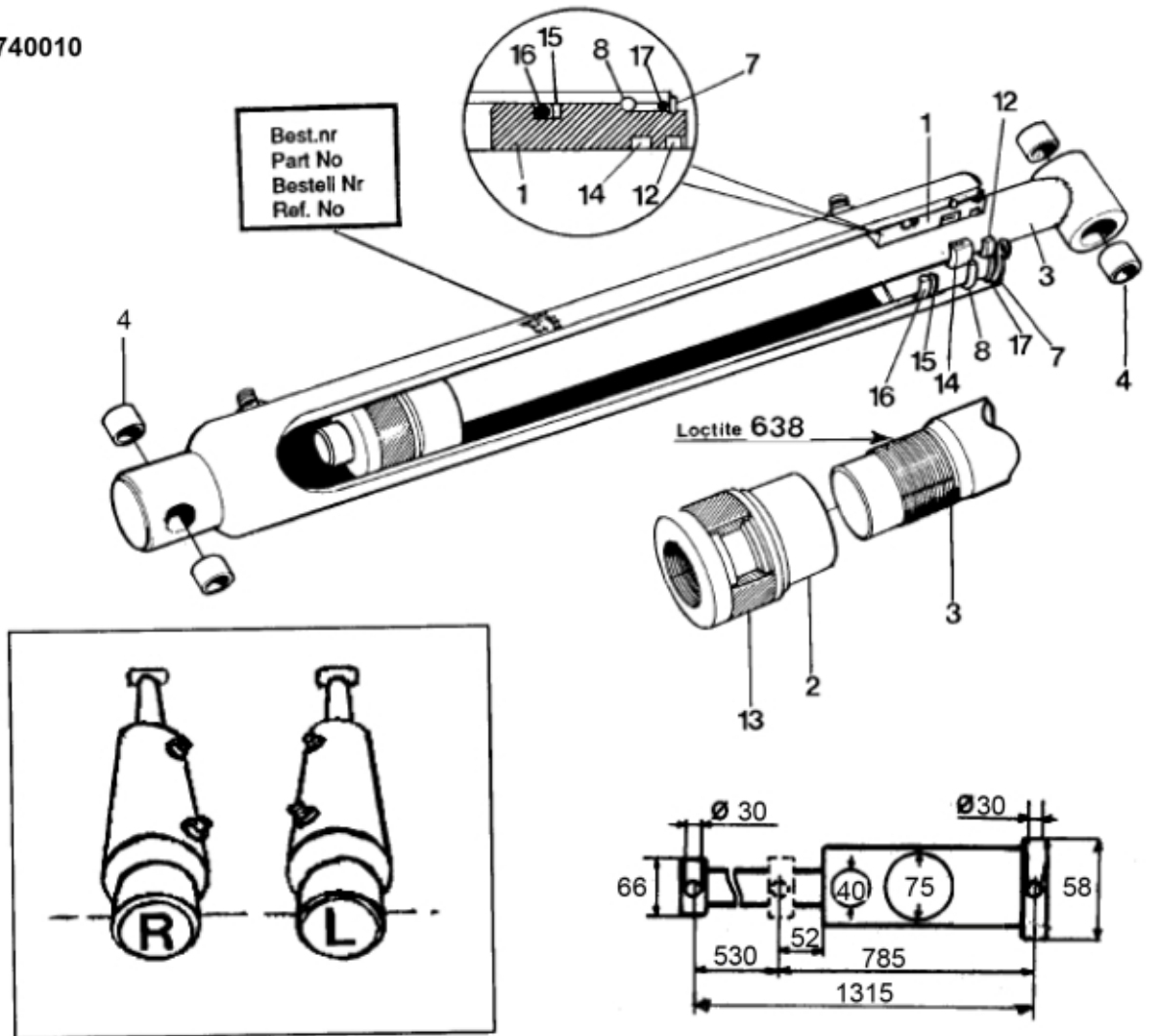


R 739010_740010



Description Ø 75/40 mm
Part assemblies Cylinder LH
Specification : 31/12/2001 00:00:00

PartNo	Pos	Qty	Name	Specifications
723011	1	1	Bearing	
682012	2	1	Piston	
737023	3	1	Piston rod	(7 37 013)
5018515	4	4	Bushing	D30 L=20
5016618	7	1	Retaining ring	
5016665	8	1	Retaining ring	
5036152		1	Seal kit	D75/40
5038101	12	1	• Wiper	40/50x7/10
5038283	13	1	• Piston seal	
5038254	14	1	• Seal	40/50x10
5038414	15	1	• Support Ring	
5037406	16	1	• O-ring	
5037239	17	1	• O-ring	68.26x3x53