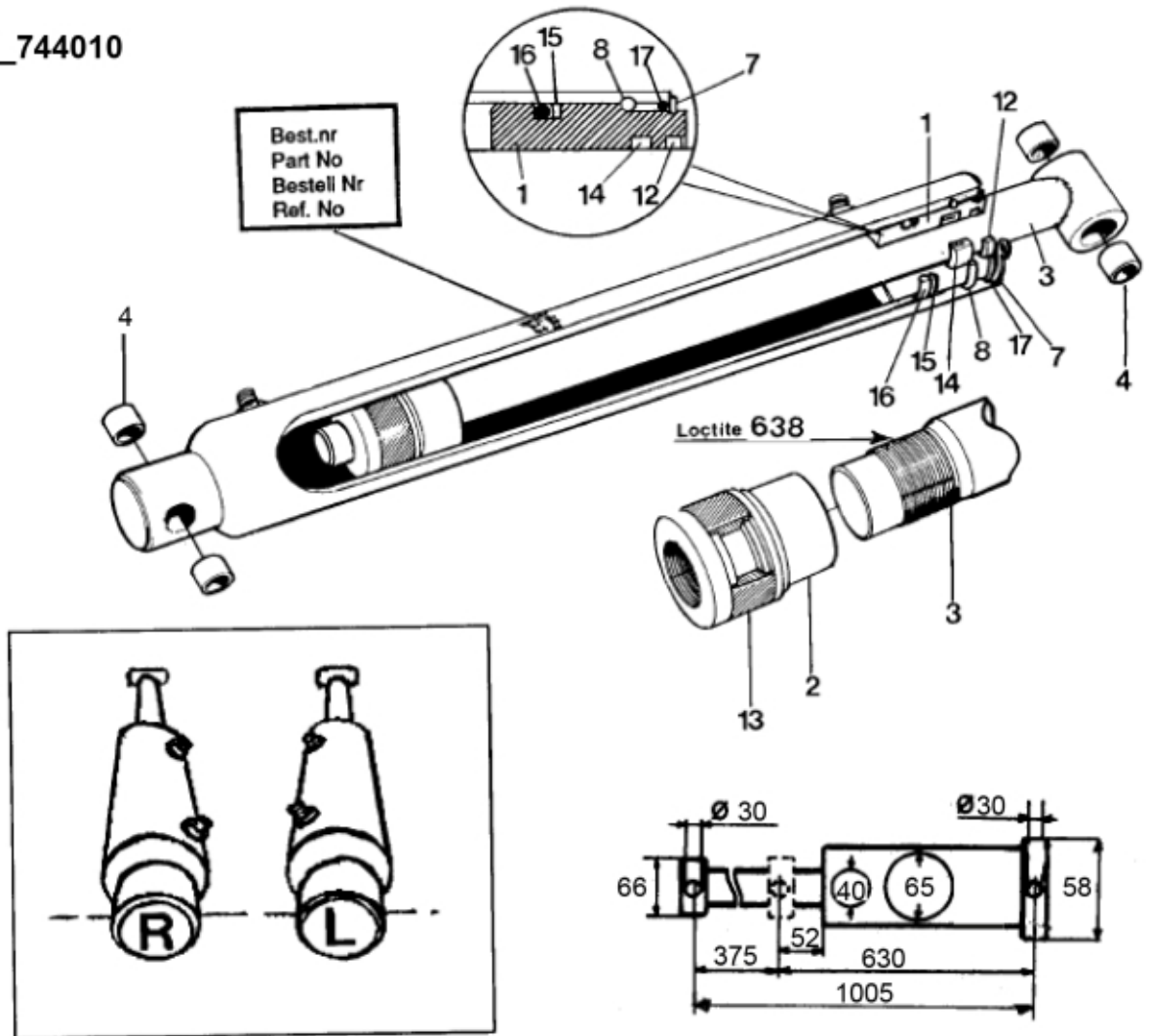


R 743010_744010



Description 65/40
Part assemblies Cylinder LH
Specification Year To: 31/12/2001 00:00:00

PartNo	Pos	Qty	Name	Specifications
727011	1	1	Bearing	
719012	2	1	Piston	
743023	3	1	Piston rod	(7 43 013)
5018515	4	4	Bushing	D30 L=20
5016608	7	1	Circlip	
5016668	8	1	Retaining ring	
5036155		1	Seal kit	D65/40