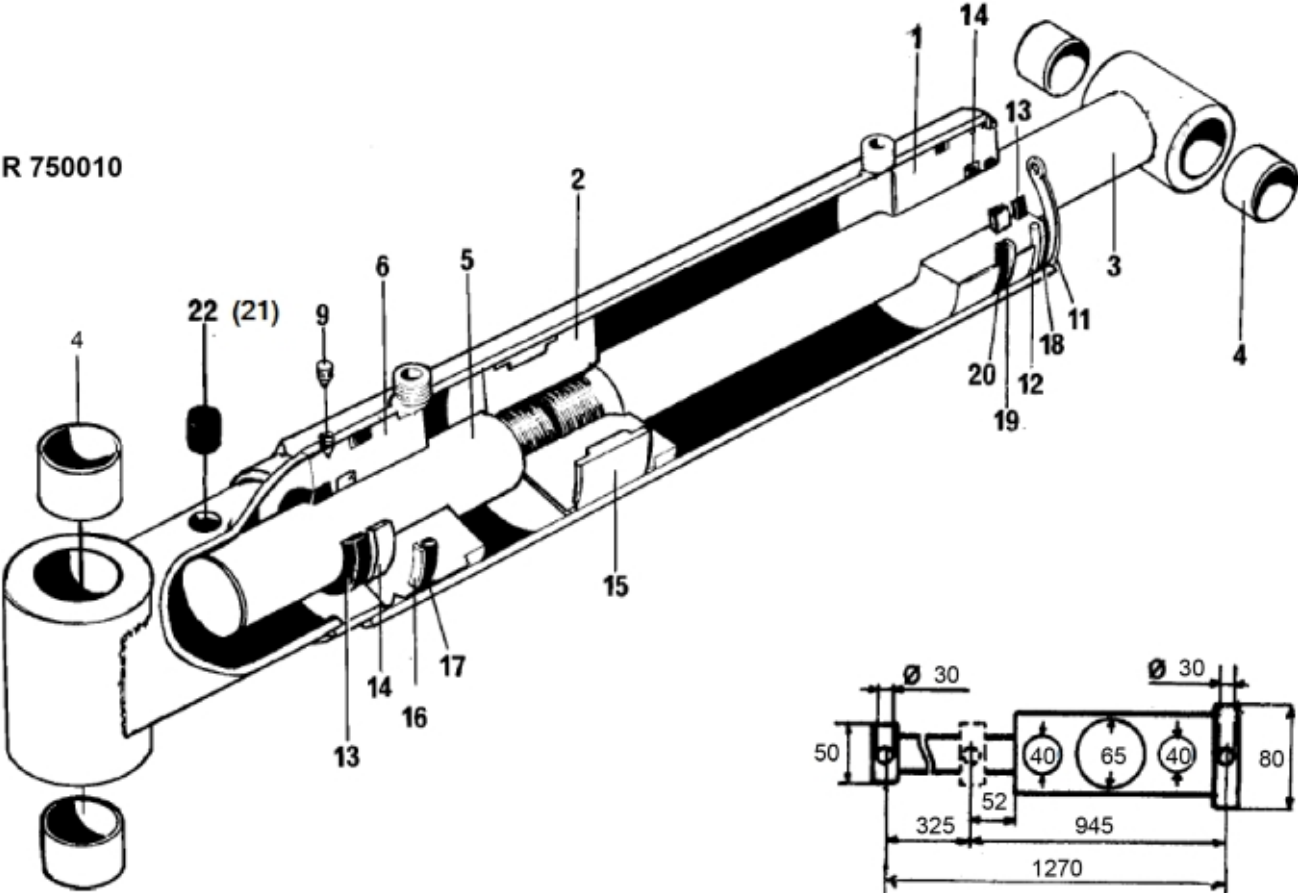


R 750010



Description Ø 65/40/40 mm
Part assemblies Cylinder
Specification : 31/12/2001 00:00:00

PartNo	Pos	Qty	Name	Specifications
727011	1	1	Bearing	
719012	2	1	Piston	
750023	3	1	Piston rod	(7 50 013)
5018515	4	4	Bushing	D30 L=20
719015	5	1 PCS	Rear rod	
719016	6	1 PCS	Guide	
5005442	9	2 PCS	Stop screw	S6SS M6 x 10
5016608	11	1	Circlip	
5016668	12	1	Retaining ring	
5036162		1	Seal kit	D65/40/40
5038101	13	2	• Wiper	40/50x7/10
5038254	14	2	• Seal	40/50x10
5038289	15	1	• Piston seal	
5038418	16	1	• Support Ring	
5037404	17	1	• O-ring	
5037242	18	1	• O-ring	58,74 x 3,53
5038417	19	1	• Support Ring	
5037237	20	1 PCS	• O-ring	
5037237	21	1 PCS	• O-ring	
5022095	22	1	• Plug	