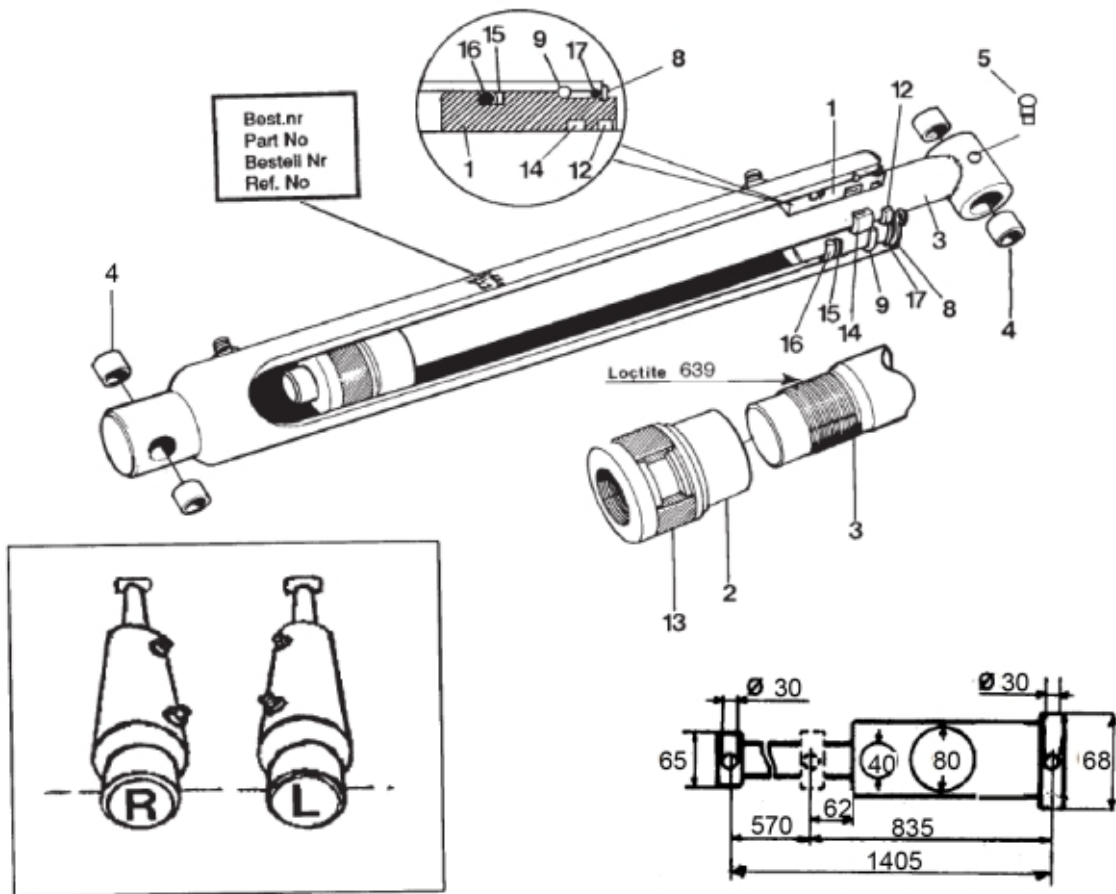


R 778010\_779010



**Description** Ø 80/40 mm  
**Part assemblies** Cylinder LH  
**Specification** Year To: 31/12/2001 00:00:00

<b>PartNo</b>	<b>Pos</b>	<b>Qty</b>	<b>Name</b>	<b>Specifications</b>
724011	1	1	Bearing	
711012	2	1	Piston	
778023	3	1	Piston rod	(778013)
5018515	4	4	Bushing	D30 L=20
5023005	5	1	Greaser	M 10 x 1
5016620	8	1	Retaining ring	
5016667	9	1	Retaining ring	
5036154		1	Seal kit	D80/40
5038101	12	1	• Wiper	40/50x7/10
5038285	13	1	• Piston seal	
5038254	14	1	• Seal	40/50x10
5038405	15	1	• Support Ring	
5037407	16	1	• O-ring	
5037241	17	1	• O-ring	72,62 x 3,53