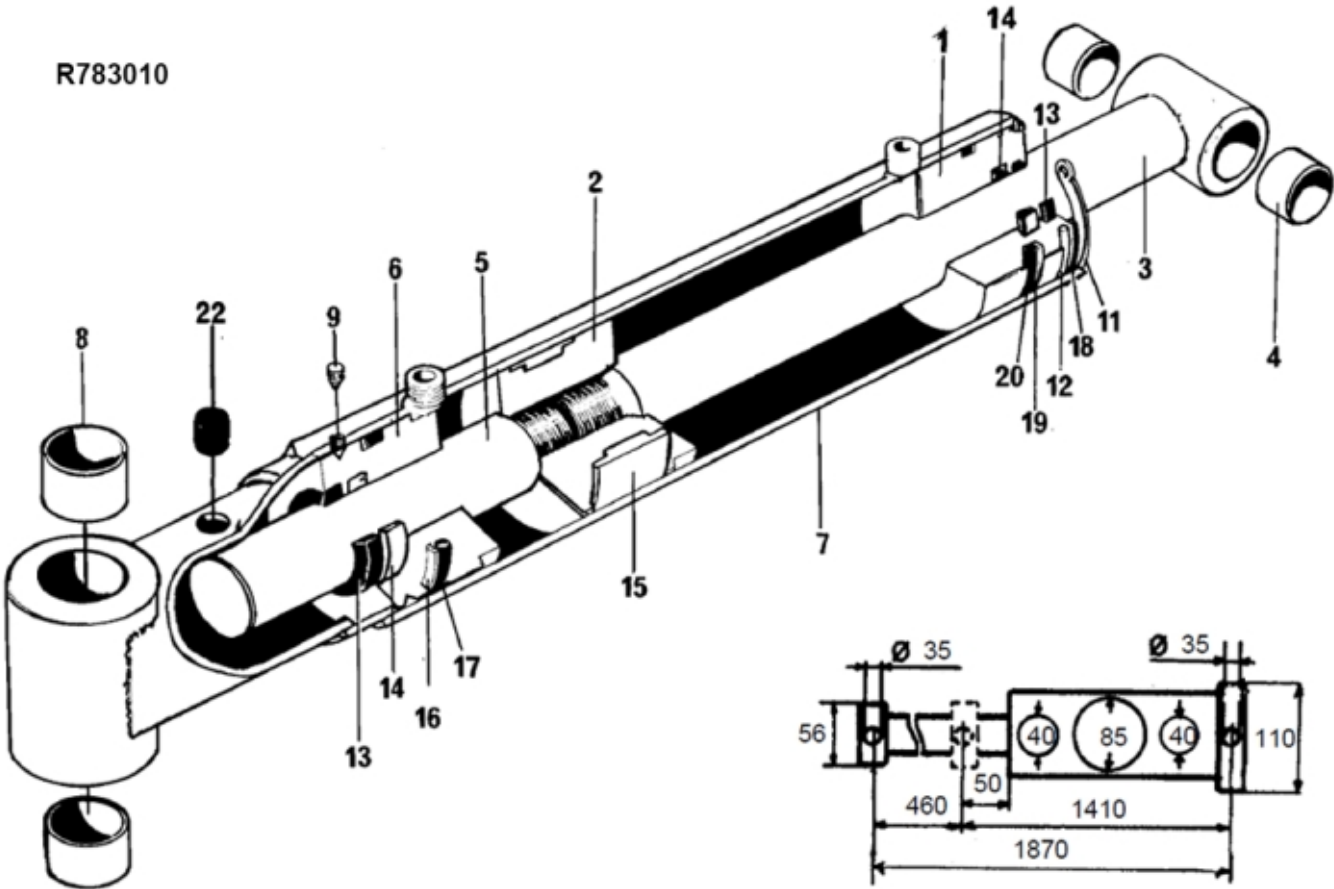


R783010



Description Ø 85/40/40 mm
Part assemblies Cylinder

PartNo	Pos	Qty	Name	Specifications
763011	1	1 PCS	Bearing	
722012	2	1	Piston	
783023	3	1	Piston rod	(7 83 013)
5018514	4	2	• Bushing	D35 L=20
709015	5	1 PCS	Rear rod	
713015	6	1 PCS	Guide	
	7	1	Cylinder barrel	(7 83 014)
5018514	8	2	• Bushing	D35 L=20
5005446	9	2	Stop screw	S6SS M6x6
5016623	11	1	Retaining ring	
5016672	12	1	Retaining ring	
5036164		1	Seal kit	85/40/40
5038101	13	2	• Wiper	40/50x7/10
5038254	14	2	• Seal	40/50x10
5038290	15	1	• Piston seal	
5038424	16	1 PCS	• Support Ring	
5037408	17	1 PCS	• O-ring	
5037249	18	1	• O-ring	NBR 70Sh
5038405	19	1	• Support Ring	
5037407	20	1	• O-ring	
5022095	22	1	• Plug	