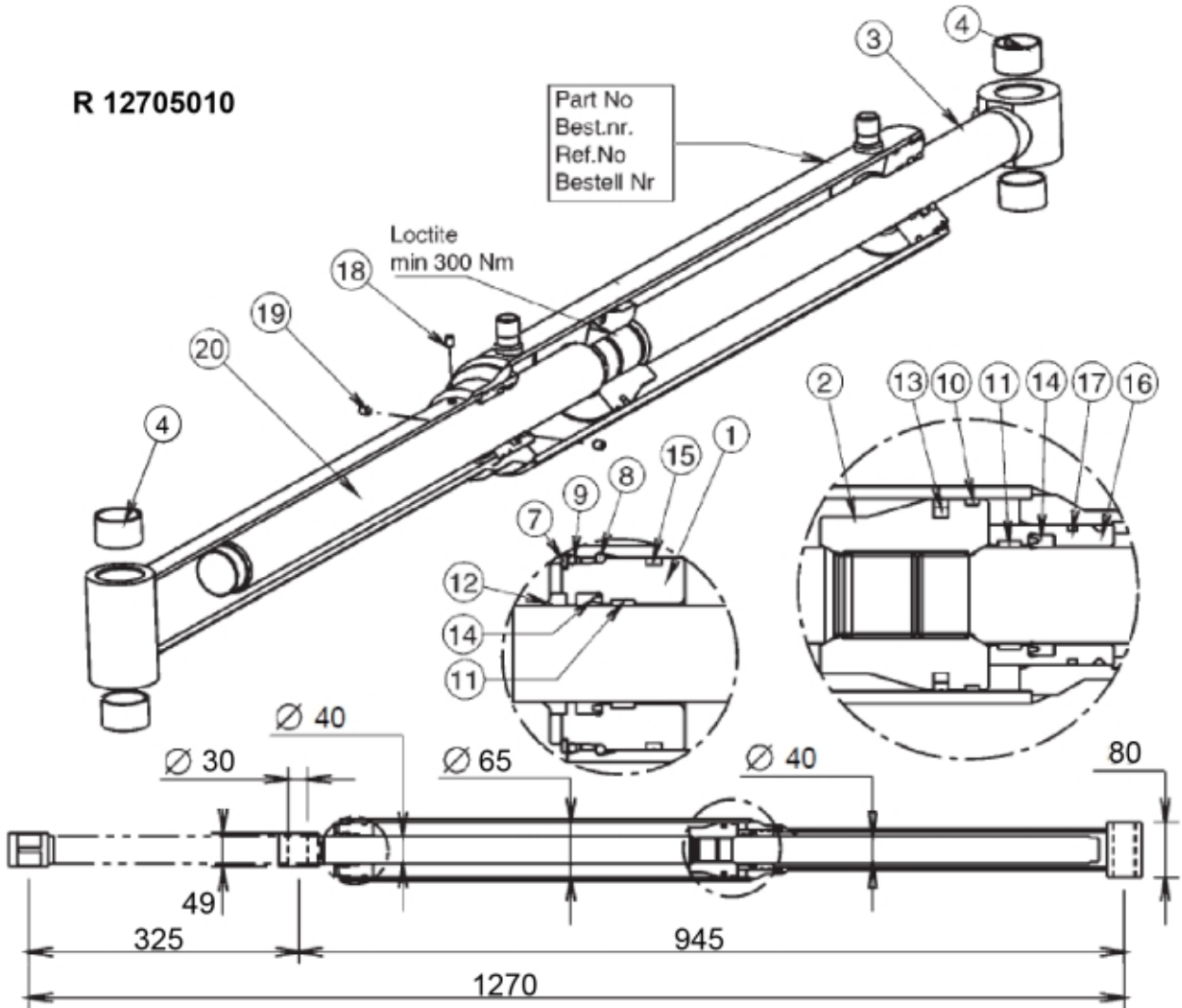


R 12705010

Part No  
Best.nr.  
Ref.No  
Bestell Nr

Loctite  
min 300 Nm



**Description** Ø 65/40/40 mm  
**Part assemblies** Cylinder  
**Specification** Year From: 01/01/2002 00:00:00

<b>PartNo</b>	<b>Pos</b>	<b>Qty</b>	<b>Name</b>	<b>Specifications</b>
12706511	1	1	Bearing	D65/40
12706512	2	1	Piston	
12705023	3	1	Piston rod	
5018515	4	4	Bushing	D30 L=20
5016608	7	1	Circlip	
5016668	8	1	Retaining ring	
12700017	16	1	Guide	
5005984	19	2	Stop screw	S6SS M6x8
12700915	20	1	Rear rod	
5033711		1	Seal kit	
5037242	9	1	• O-ring	58,74 x 3,53
5040012	10	1	• Guide ring	65/60 x 5,5
5040010	11	2	• Guide ring	40/45x9,7
5038101	12	1	• Wiper	40/50x7/10
5040022	13	1	• Piston seal	65/49,5 x 6,3
5038254	14	2	• Seal	40/50x10
5039002	15	1	• Cover seal	65 x 59,6 x 6,2
5039001	17	1	• Seal kit	58 x 53.4 x 4.1
5022095	18	1	• Plug	