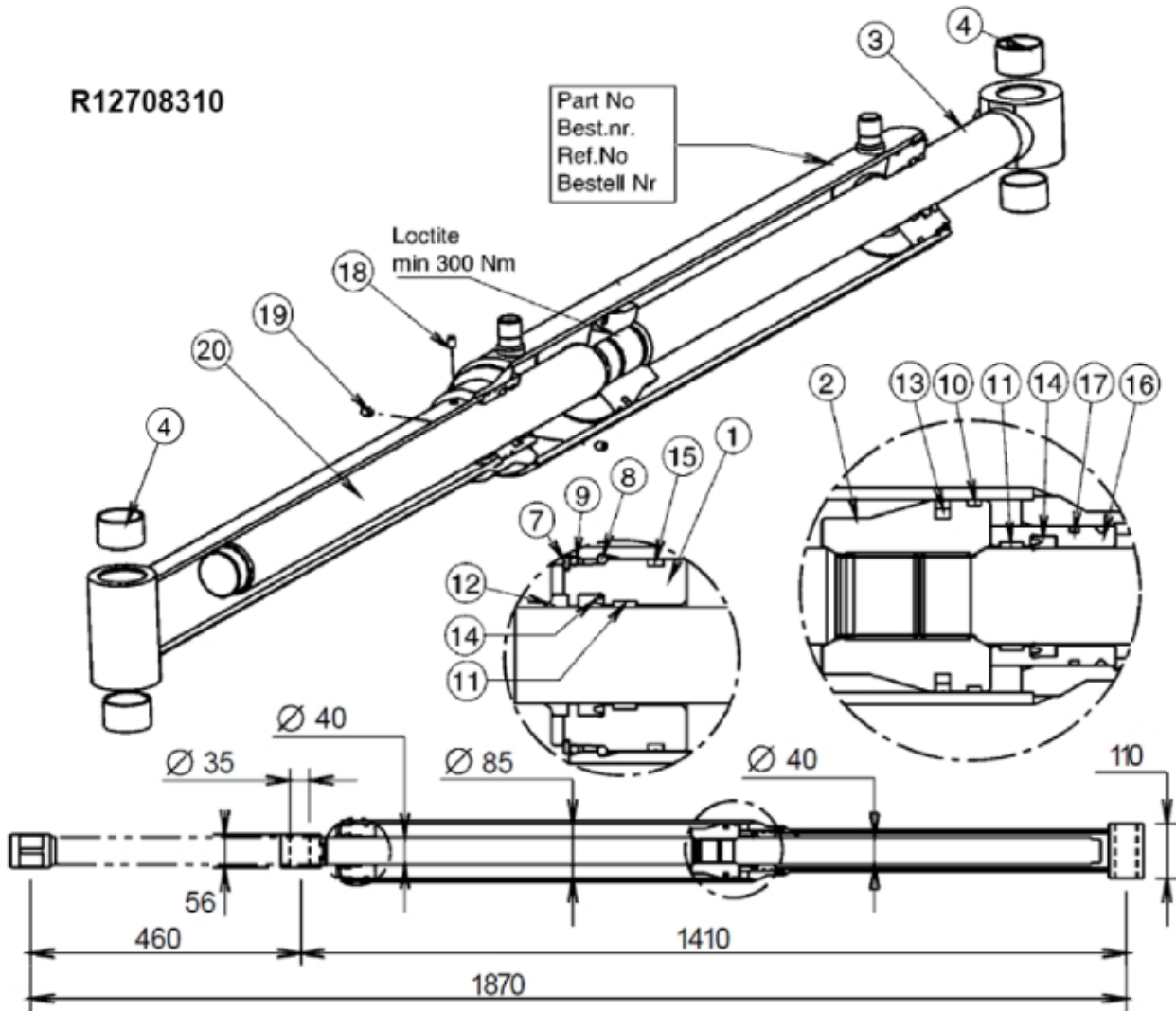


R12708310

Part No  
Best.nr.  
Ref.No  
Bestell Nr

Loctite  
min 300 Nm



**Description** Ø 85/40/40 mm  
**Part assemblies** Cylinder

<b>PartNo</b>	<b>Pos</b>	<b>Qty</b>	<b>Name</b>	<b>Specifications</b>
12708511	1	1	Bearing	D85/40
12708512	2	1	Piston	D85
12708323	3	1	Piston rod	
5018514	4	4	Bushing	D35 L=20
5016623	7	1	Retaining ring	
5016672	8	1	Retaining ring	
12700017	16	1	Guide	
5005983	19	2	Stop screw	S6SS M6x16
12700915	20	1	Rear rod	
5033715		1	Seal kit	
5037249	9	1	• O-ring	NBR 70Sh
5040016	10	1	• Guide ring	85/80x5.5
5040010	11	2	• Guide ring	40/45x9,7
5038101	12	1	• Wiper	40/50x7/10
5040026	13	1	• Piston seal	85/69.5x6.3
5038254	14	2	• Seal	40/50x10
5039006	15	1	• Seal kit	85 x 78.6 x 6.4
5039001	17	1	• Seal kit	58 x 53.4 x 4.1
5022095	18	1	Plug	