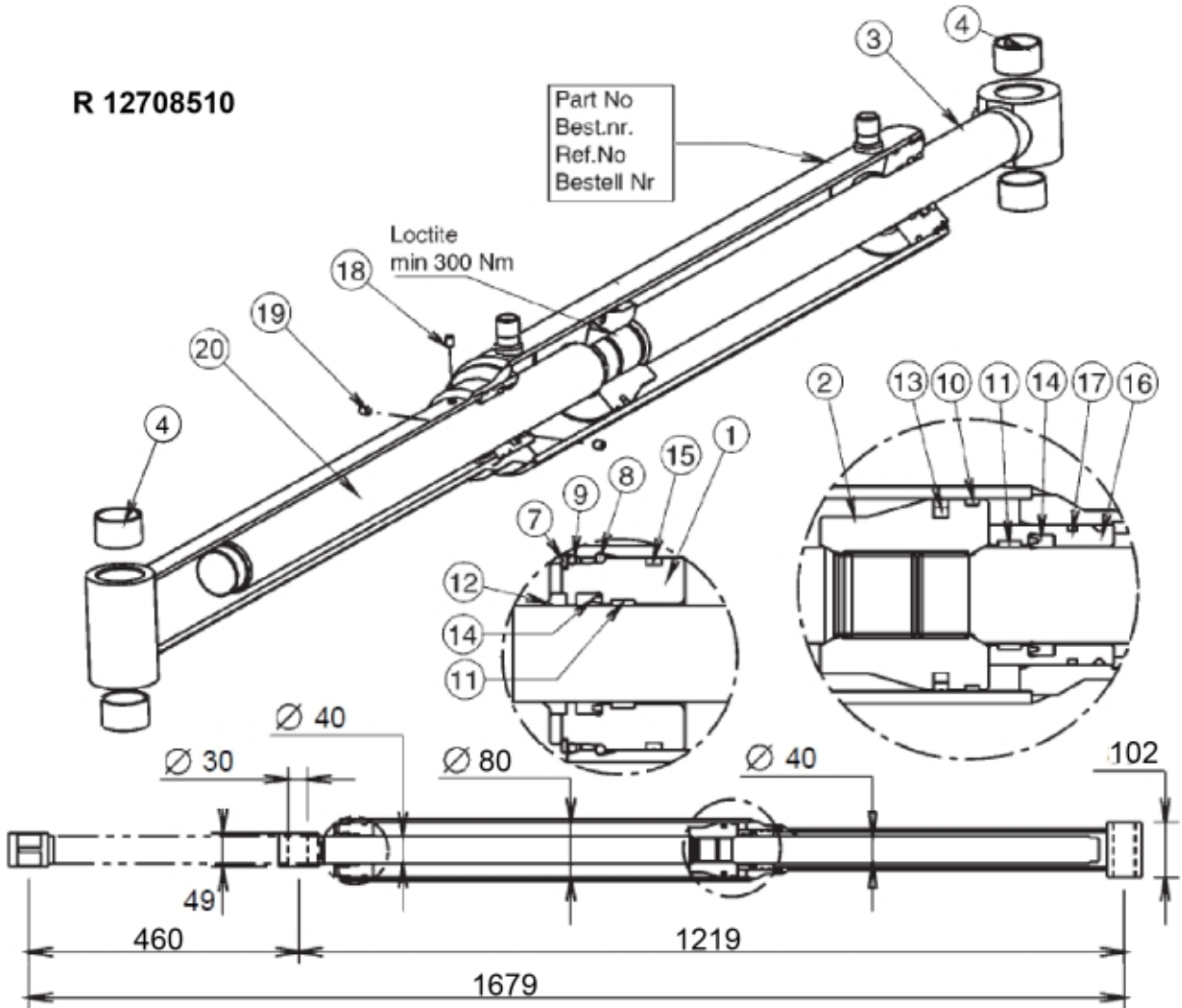


R 12708510

Part No  
Best.nr.  
Ref.No  
Bestell Nr

Loctite  
min 300 Nm



**Description** Ø 80/40/40 mm  
**Part assemblies** Cylinder  
**Specification** Year From: 1/1/2002 12:00:00 AM

| PartNo   | Pos | Qty | Name           | Specifications  |
|----------|-----|-----|----------------|-----------------|
| 12708011 | 1   | 1   | Bearing        | D80/40          |
| 12708012 | 2   | 1   | Piston         | D80             |
| 12708023 | 3   | 1   | Piston rod     |                 |
| 5018515  | 4   | 4   | Bushing        | D30 L=20        |
| 5016620  | 7   | 1   | Retaining ring |                 |
| 5016667  | 8   | 1   | Retaining ring |                 |
| 12700017 | 16  | 1   | Guide          |                 |
| 5005984  | 19  | 2   | Stop screw     | S6SS M6x8       |
| 12700915 | 20  | 1   | Rear rod       |                 |
| 5033714  |     | 1   | Seal kit       |                 |
| 5037241  | 9   | 1   | • O-ring       | 72,62 x 3,53    |
| 5040015  | 10  | 1   | • Guide ring   | 80/75 x 5,5     |
| 5040010  | 11  | 2   | • Guide ring   | 40/45x9,7       |
| 5038101  | 12  | 1   | • Wiper        | 40/50x7/10      |
| 5040025  | 13  | 1   | • Piston seal  | 80/64,5 x 6,3   |
| 5038254  | 14  | 2   | • Seal         | 40/50x10        |
| 5039005  | 15  | 1   | • Cover seal   | 80 x 73,6 x 6,4 |
| 5039001  | 17  | 1   | • Seal kit     | 58 x 53.4 x 4.1 |
| 5022095  | 18  | 1   | • Plug         |                 |