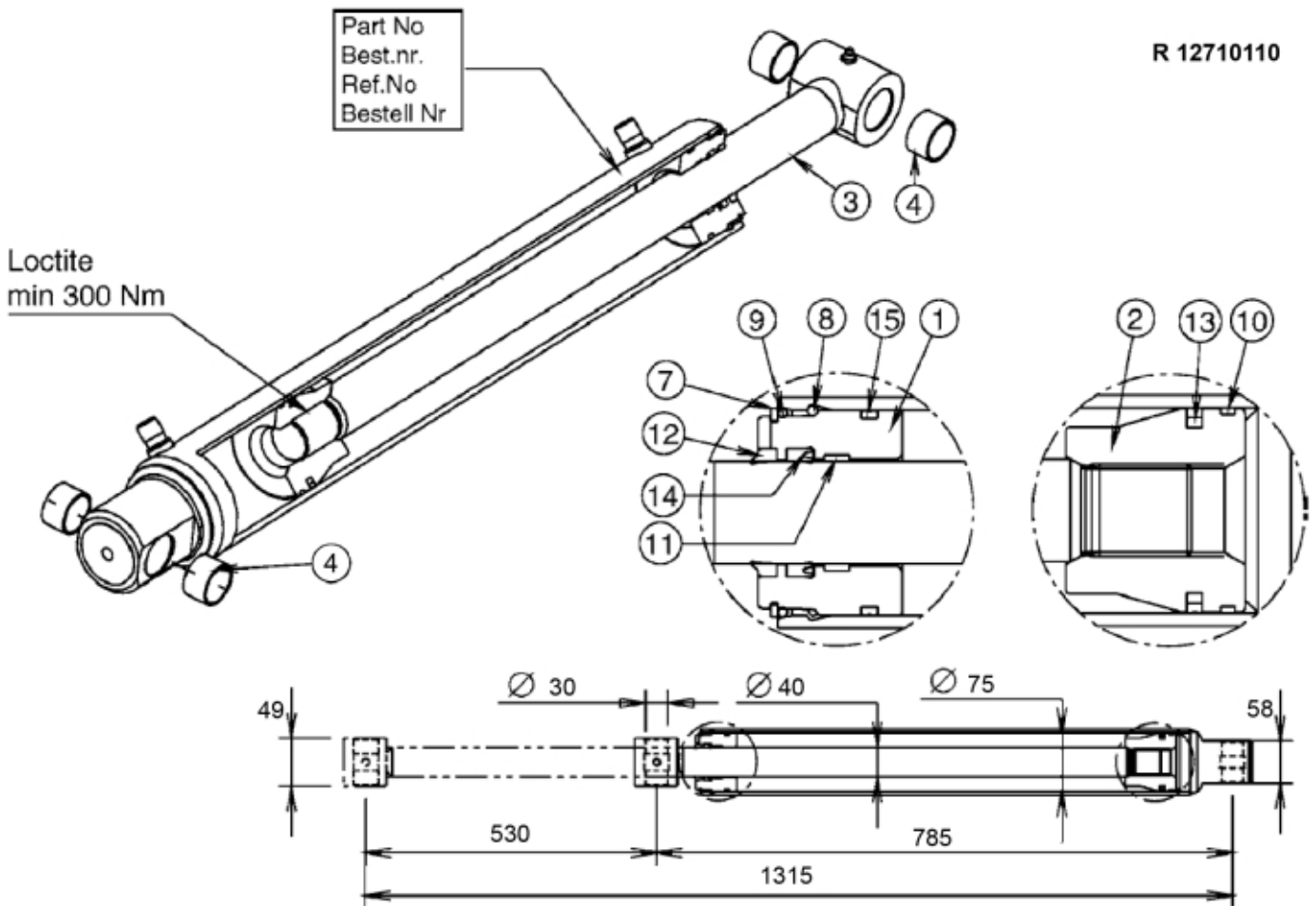


R 12710110



---

**Description** Ø 75/40 mm  
**Part assemblies** Cylinder  
**Specification** Year From: 01/01/2002 00:00:00

---

<b>PartNo</b>	<b>Pos</b>	<b>Qty</b>	<b>Name</b>	<b>Specifications</b>
12707511	1	1	Bearing	D75/40
12707512	2	1	Piston	D75
12705823	3	1	Piston rod	
5018515	4	4	Bushing	D30 L=20
5016618	7	1	Retaining ring	
5016665	8	1	Retaining ring	
5033705		1	Seal kit	
5037239	9	1	• O-ring	68.26x3x53
5040014	10	1	• Guide ring	75/70x5.5
5040010	11	1	• Guide ring	40/45x9,7
5038101	12	1	• Wiper	40/50x7/10
5040024	13	1	• Piston seal	75/59.5x6.3
5038254	14	1	• Seal	40/50x10
5039004	15	1	• Cover seal	75 x 69.6 x 6.2