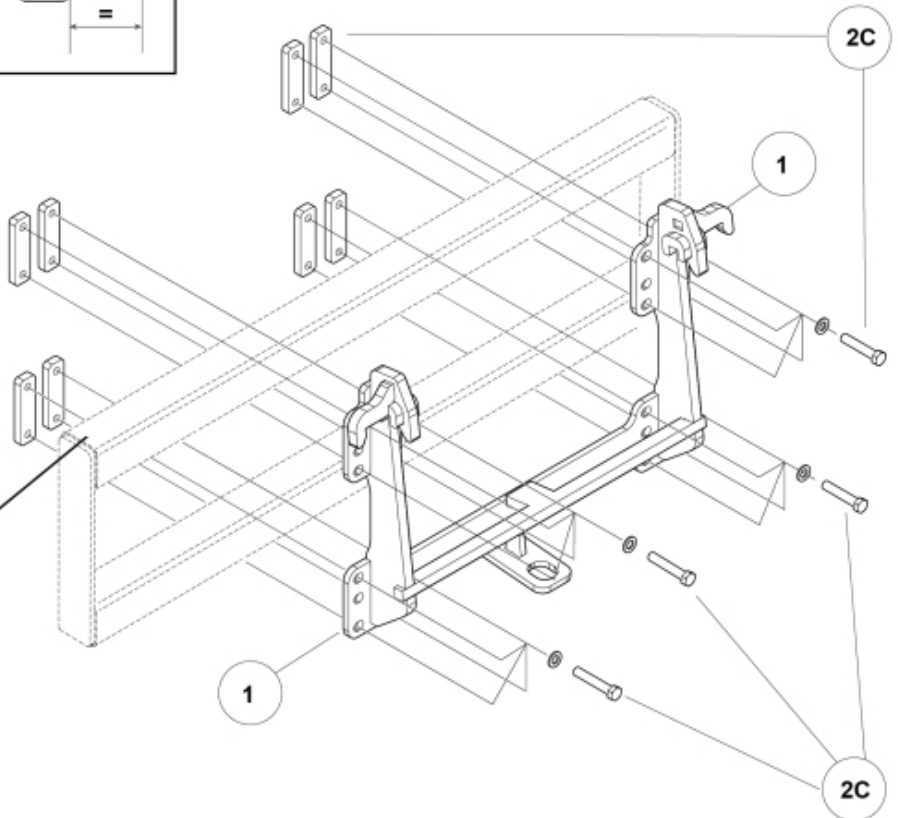


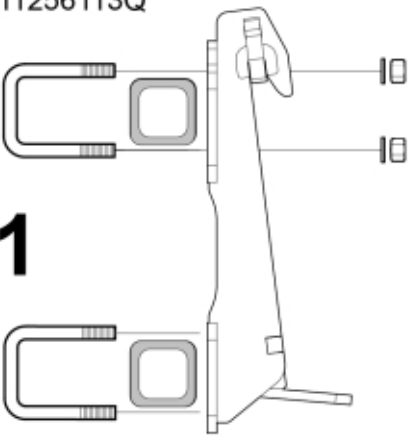
M 11256113B

M 11256113C

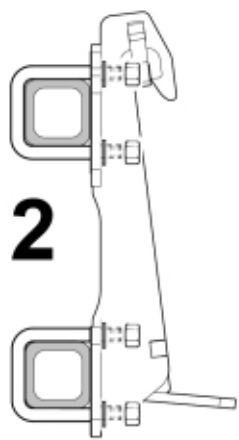



11256113A
11256113Q

1




2



3 

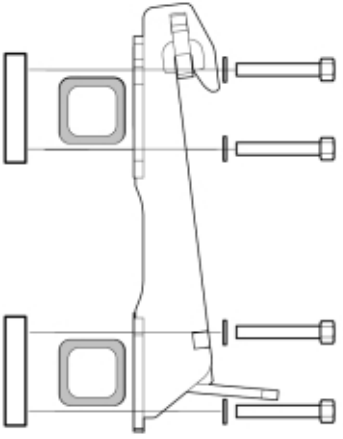
Tightening torque: 80Nm

4 

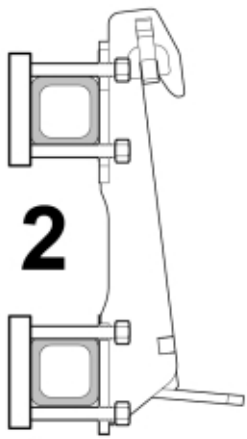
Tightening torque: 150Nm +/- 20Nm


11256113B

1




2



3 

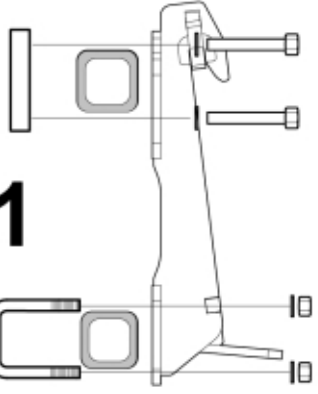
Tightening torque: 100Nm

4 

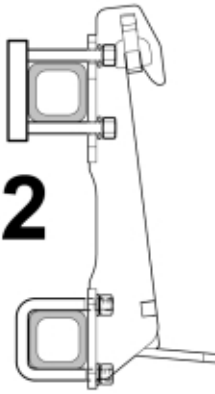
Tightening torque: 200Nm +/- 20Nm


11256113C

1




2



3 

Tightening torque: 100Nm

Tightening torque: 80Nm

4 

Tightening torque: 200Nm +/- 20Nm

Tightening torque: 150Nm +/- 10Nm

Part assemblies Attachment kit Weidemann MV

PartNo	Pos	Qty	Name	Specifications
60070490	1	1 PCS	Attachment Weidemann MV	
60004374	2A	1 PCS	Bolt kit	
60020469		8	• U-bolt	80x80 M16 (60003288)
5013105		16	• Washer	BRB 17 x 30 x 3 300HV
5011557		16	• Nut	Loc-King M16
60004375	2Q	1 PCS	Bolt kit	
60020468		8 PCS	• U-bolt	80x40 M16 (60003289)
5013105		16	• Washer	BRB 17 x 30 x 3 300HV
5011557		16	• Nut	Loc-King M16
60025035	2B	1 PCS	Bolt kit	
60050544		4 PCS	• Plate	
5050888		16	• Screw	M6S M16x90 10.9
5013105		16	• Washer	BRB 17 x 30 x 3 300HV
60021354	2C	1 PCS	Bolt kit	
60050544		4 PCS	• Plate	
5050810		8	• Screw	M6S M16x120
5013105		16	• Washer	BRB 17 x 30 x 3 300HV
60020469		4	• U-bolt	80x80 M16 (60003288)
5011557		8	• Nut	Loc-King M16