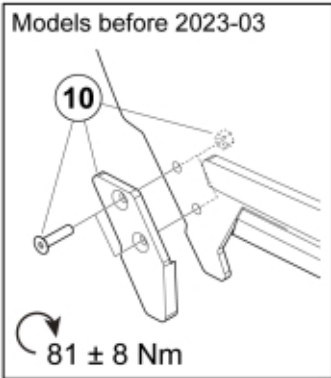
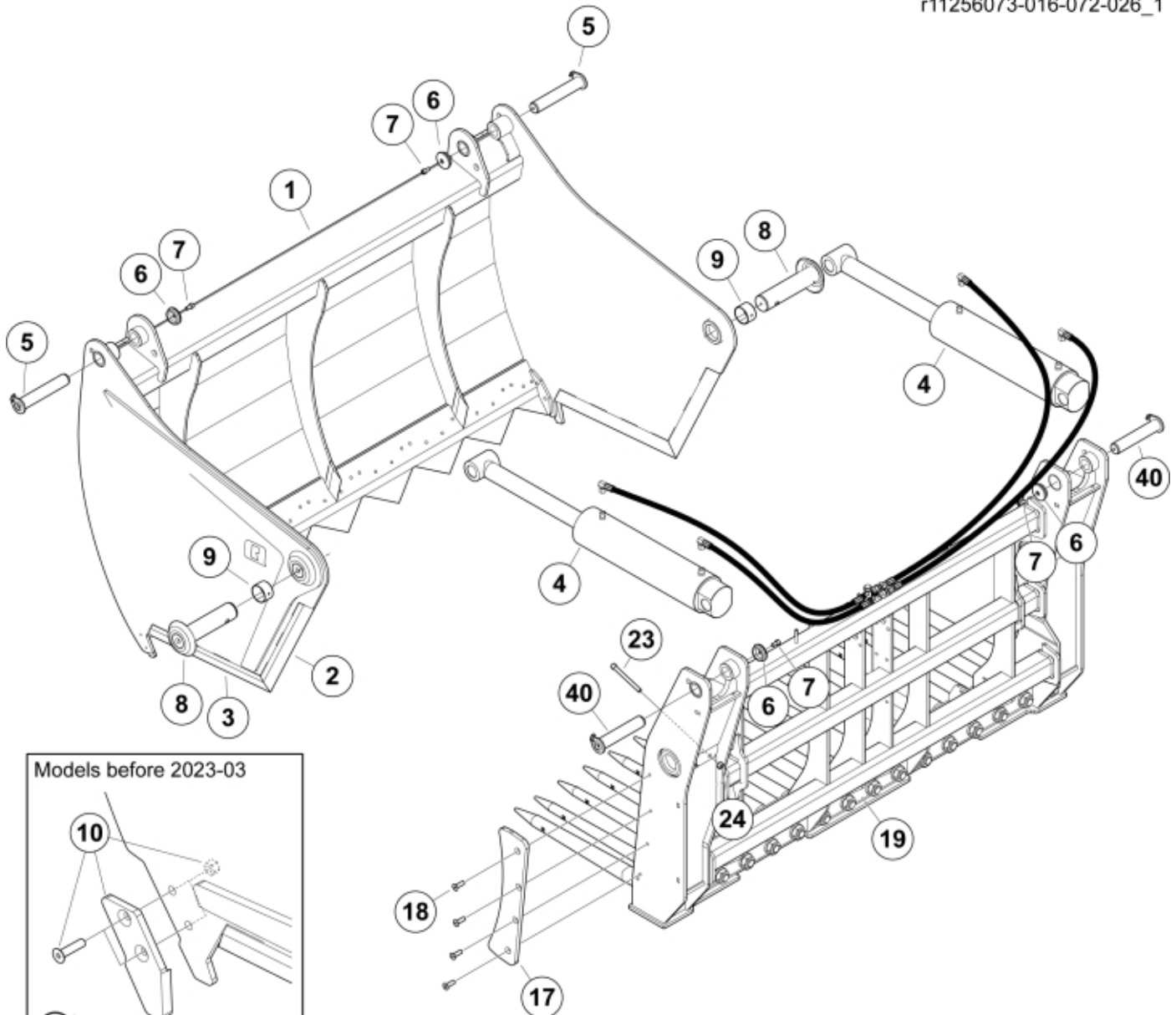
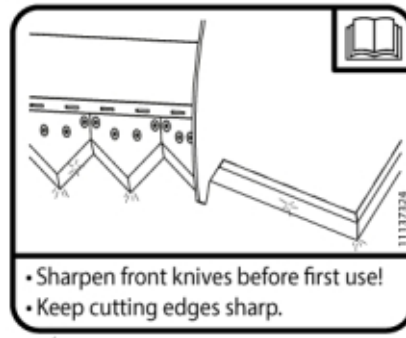


r11256073-016-072-026_1





r11256073-016-072-026_2

Part assemblies Silocut L+ 175 Forged tines

PartNo	Pos	Qty	Name	Specifications
11256073		1	Silocut L+ 175 Forged tines	
60093499-17	1	1	Front Part	
60066739	2	2	• Cutting edge	
60061405	3	2	• Cutting edge	
60068256-1	4	2	Cylinder	
60030256	5	2	Pin cpl.	
5215131	6	4	Locking cover	
5050608	7	4	Screw	MC6S M10x20 Loc
60027947	8	2	Pin	
5051187	9	2	Bushing	
60092296	10	1	Service kit	
60089662-22		1	• Tooth	
		4	• Tooth	
		4	• Screw	
		4	• Nut	M12 Loc
60089923-22	13	1	Cutting edge RH	
11262629-22	14	6	Cutting edge	250mm
60089924-22	15	1	Cutting edge LH	
5050610	16	30	Screw	MF6S 12.9 fzb M12x20
60061435-22	17	2	Plate	
5005990	18	8	Screw	MF6S M10 x 30 (10.9)
60070922	19	1	Frame, without tines	
5052116	23	2	Screw	MC6S M12x130
5011555	24	2	Nut	M12 Loc
11120580	25	2	Adapter cpl.	
5028031	26	2	T-Adapter	
5051191	27	2	Hose clamp	
5011553	28	2	Nut	M6M M8 Loc-king
		1	Hose kit	
60070871	29	2	• Hose	1/2" L=1490 1/2GRLM 1/2G90LMC
60070870	30	2	• Hose	1/2" L=1015 1/2GRLM 1/2G90LMC
5022177	31	1	Cable tie	Red
5022179	32	1	Cable tie	Blue
1123674	33	1	Warning decal	"Read manual"
1123673	34	1	Warning decal	
60034425	35	1	Warning decal	
11137324	36	1	Warning decal	"Keep cutting edges sharp"
11136516	37	1	Warning decal	
60056616	38	2	Decal	"Q" medium 110mm
60062202	39	1	Decal	"Silocut L+"
60006393	40	2	Pin	