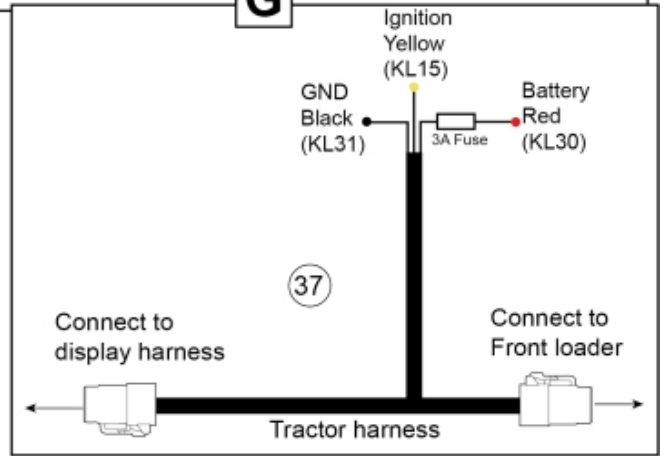
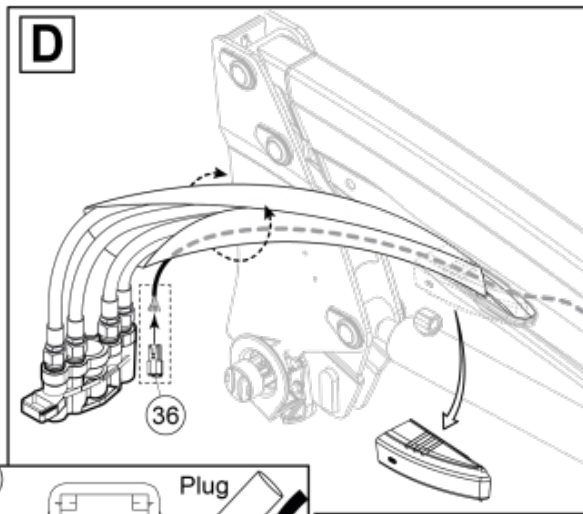
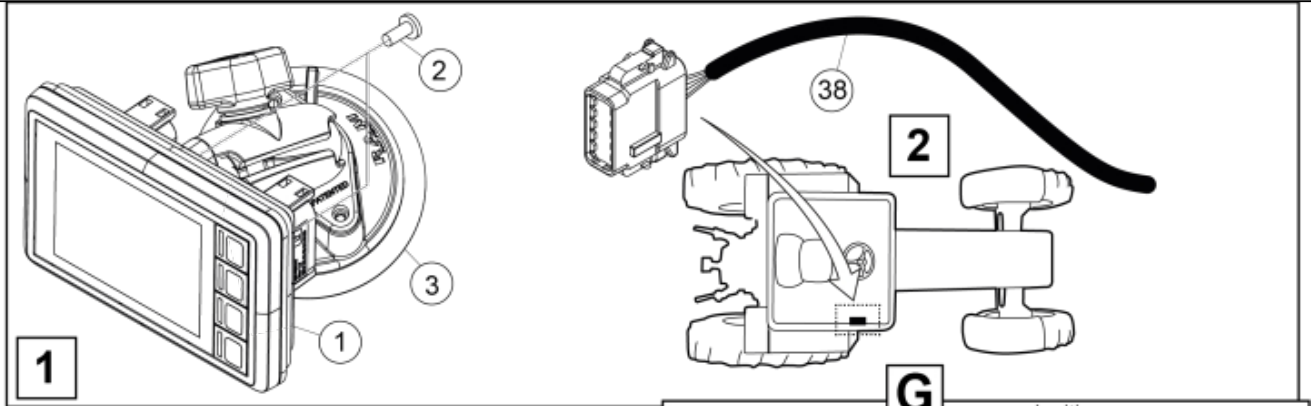
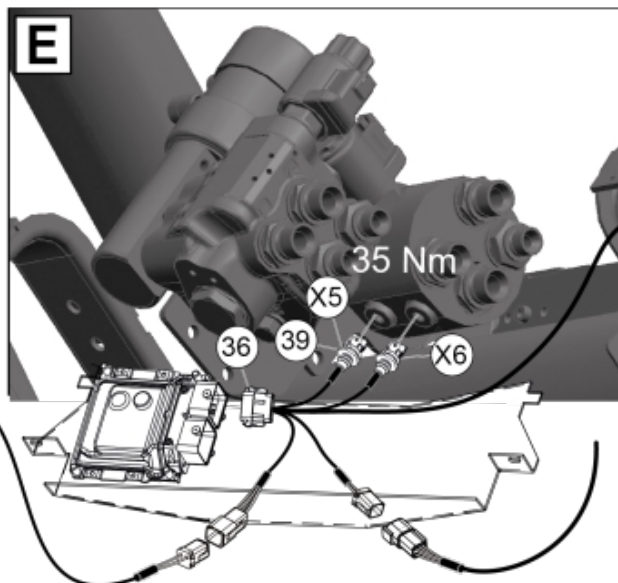
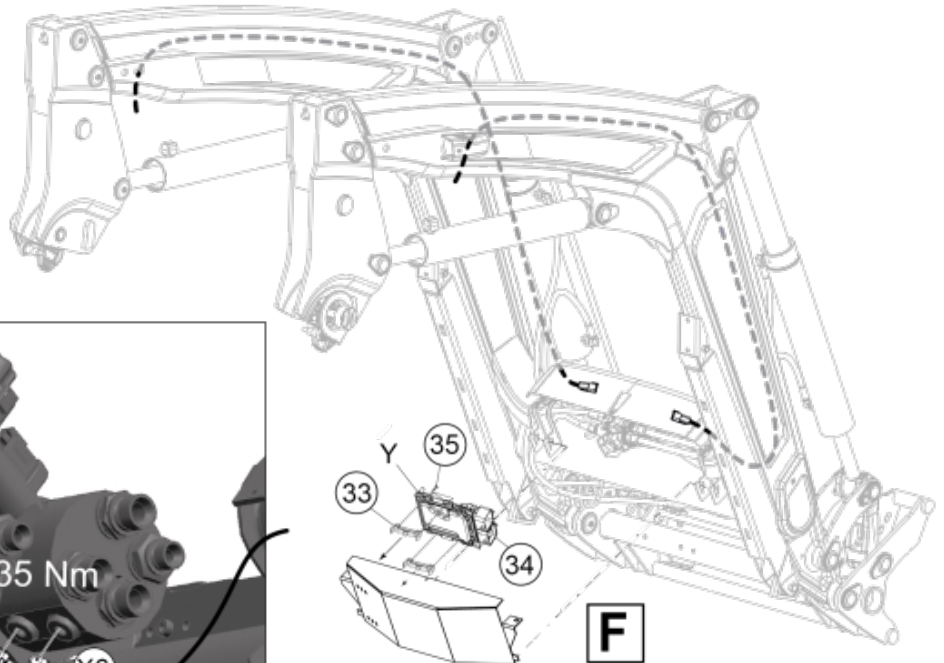
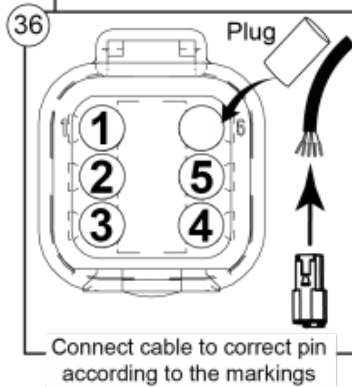


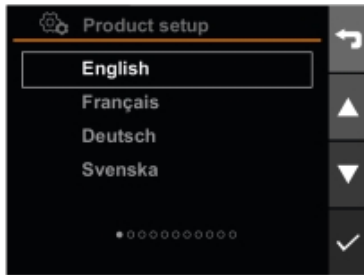
M 60029447_1



M 60029447_2



4 Calibration programme



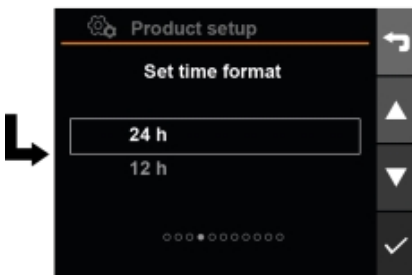
Select language. Confirm with check mark.



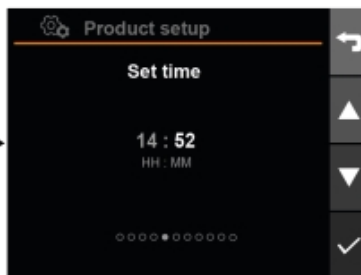
Select loader type. Confirm with check mark.



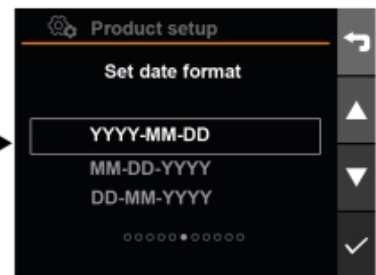
Select unit. Confirm with check mark.



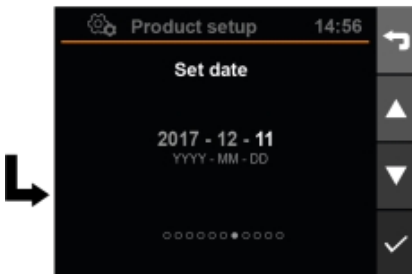
Select time format. Confirm with check mark.



Adjust time. Confirm with check mark.



Select date format. Confirm with check mark.



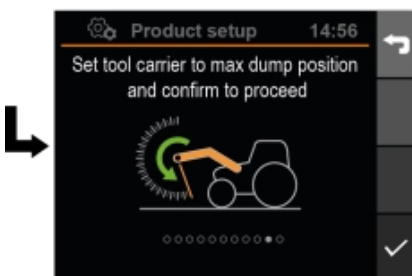
Adjust date. Confirm with check mark.



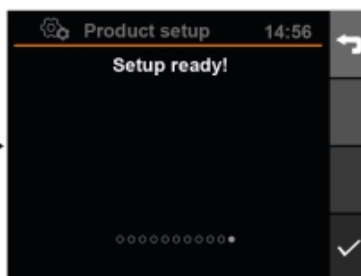
Hold the loader against the mechanical stop with full joystick deflection until indicator turns green (3 - 4 s). Confirm with check mark.



Hold the loader against the mechanical stop with full joystick deflection until indicator turns green (3 - 4 s). Confirm with check mark.



Control the tool carrier to mechanical stop and confirm with check mark.



Press check mark to confirm

M 60029447_3

Description	Display buttons right side of screen. Separate 6-pin Deutsch contact loader to tractor.			
Part assemblies	Q-companion BT			
Specification	Especificación: Sustituye a 60013126			
PartNo	Pos	Qty	Nombre	Especificaciones
60035031	1	1	Display kit	
60007804	2	2	• Tornillo	MRX 4.8 fzb 5x12
60007807	3	1	• Soporte	
60009447	4	1	Placa de guía	
60103772	5	1	Casquillo	
60007693	6	1	Arandela	
60008010	7	1	Junta tórica	
60007071	8	1	Tornillo magnético	M10 x 1,5
60012971	9	1	Tornillo	MC6S 8.8 fzb M10 x 60
60008281	10	1	Juego de espigas	
60009466	11	1	Sensor de ángulo	Tilt
60010426	12	1	• Cubierta	
5050792	13	2	• Tornillo	ST3,5x13
60010159	14	2	Tornillo	MC6S 8.8 fzb M5x16
60008274	15	1	Tope trasero	
5004935	16	2	Tornillo	MC6S M10 x25 (8.8)
5013110	17	2	Arandela	BRB 10.5x22x2
60009767	18	2	Bloqueo de cable	
60007713	19	1	Placa de guía	
60103772	20	1	Casquillo	
60007693	21	1	Arandela	
60008010	22	1	Junta tórica	
60007071	23	1	Tornillo magnético	M10 x 1,5
60009767	24	1	Bloqueo de cable	
60103776	25	1	Juego de espigas	
5004077	26	1	Tornillo	MC6S M10 x 40
60010805	27	1	Arandela	
60009468	28	1	Sensor de ángulo	Elevador
60010426	29	1	• Cubierta	
5050792	30	2	• Tornillo	ST3,5x13
60010159	31	2	Tornillo	MC6S 8.8 fzb M5x16
60035032		1	ECU kit	
60008550	33	2	• Pinza	
60006032	34	1	• Cubierta	
60010410	35	4	• Tornillo	STS T30x12
60010175	36	1	Haz de cables	
60011270	37	1	Haz de cables	
60011281	38	1	Haz de cables	
4501309	39	2	Sensor de presión	
60037301	40	1	Pegatina	